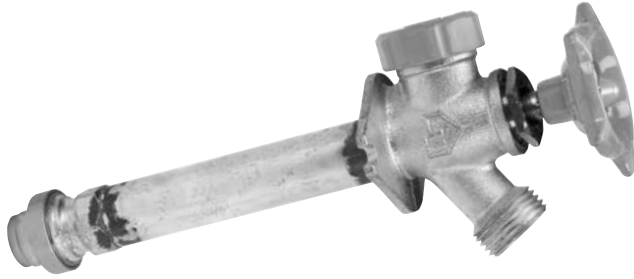


PUSH-FIT FROST-FREE SILLCOCK



PHYSICAL CHARACTERISTICS

- Connection type: Push-fit
- Brass body
- Max. operating temp. rating: 248° F/120° C
- Max. operating pressure rating: 125 PSI
- Meets ANSI/NSF 61

ITEM NUMBERS

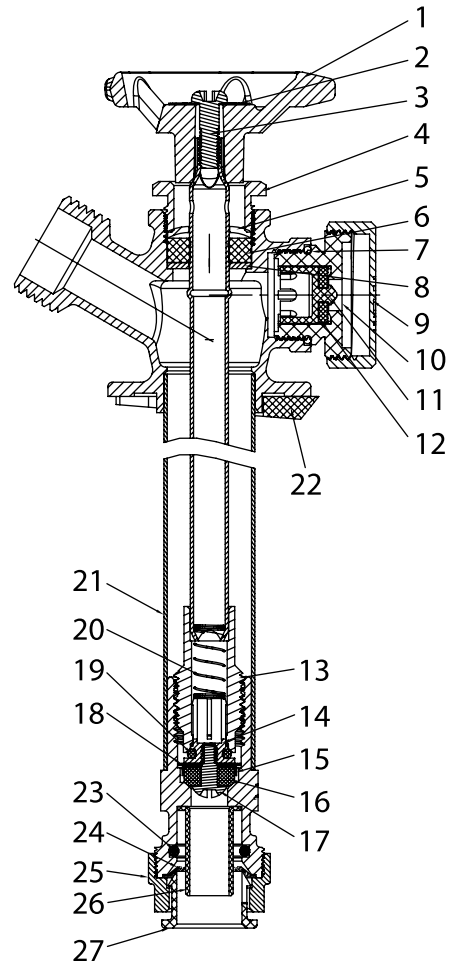
SIZE

P140-8-12x6	1/2 in. x 6 in.
P140-8-12x8	1/2 in. x 8 in.
P140-8-12x10	1/2 in. x 10 in.
P140-8-12x12	1/2 in. x 12 in.
P140-8-12x14	1/2 in. x 14 in.
P140-8-34x4	3/4 in. x 4 in.
P140-8-34x6	3/4 in. x 6 in.
P140-8-34x8	3/4 in. x 8 in.
P140-8-34x10	3/4 in. x 10 in.
P140-8-34x12	3/4 in. x 12 in.

CERTIFICATIONS



NO.	DESCRIPTION	MATERIAL
1	Handle	Cast iron
2	Name plate	Aluminum
3	Handle screw	Brass
4	Cap	Brass
5	Washer	Stainless steel
6	Washer	EPDM
7	O-ring	NBR
8	Washer	Stainless steel
9	Cap	ABS
10	House	POM
11	Poppet	HDPE
12	Washer	NBR
13	Stem	Brass
14	Stem of activity	Brass
15	Washer of bowl	Brass
16	Washer	NBR
17	Screw	Brass
18	Washer	NBR
19	O-ring	NBR
20	Spring	Stainless steel
21	Body	Brass
22	Base plate	PE
23	O-ring	EPDM
24	Grip ring	Stainless steel
25	Retainer	Brass
26	Bush	POM
27	Disconnect ring	POM



LIMITED LIFETIME WARRANTY

The distributor warrants to the original consumer purchaser this product to be free from defects in material and workmanship under normal use in residential applications. At its option, the Company will provide repair parts or replace defective product when the product is used in accordance with the manufacturer's specifications.

This warranty is not applicable to any products or parts of products where damage is caused by use of non-genuine parts; is due to installation error, product misuse, negligence or faulty maintenance; or where the product is not installed according to local building codes.

This warranty excludes labor charges or damage incurred during installation, repair or replacement, and any indirect, incidental or consequential damages, losses, injury or costs of any nature. This warranty is in

lieu of and excludes all other warranties, conditions and guarantees, whether expressed or implied, including without restriction those of merchantability or fitness of use.

Liability under this warranty will not exceed the purchase price for the product claimed to be defective by the original consumer purchaser. Some states or provinces do not allow the exclusion or limitation of consequential damages so the above limitations or exclusions may not apply. This warranty gives you specific legal rights and you may also have other rights which vary from state to state, or province to province.

Inquiries regarding warranty claims can be directed to 1-877-319-3757, 8 a.m. - 5 p.m., CST, Monday - Friday.