

Instructions

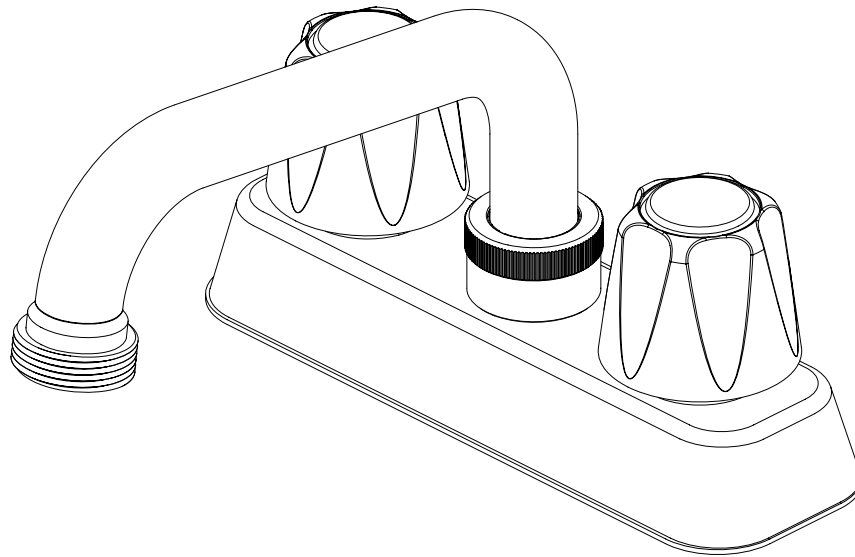
623662 – Chrome
16-U42-WNCH-B – Chrome



Certifications



Two Handle Laundry Tray Faucet



*Image may vary slightly from actual product

Tools Required

Adjustable Wrench
Groove Joint Pliers
Pipe Wrench
Phillips Screwdriver
Pipe Tape or pipe thread compound



Safety Tips

If you solder the joints during installation of the faucet, the seats, cartridges, and washers must be removed before using a flame or the warranty will be voided on these parts.

Protect your eyes with safety glasses when cutting or soldering water supply lines.

Cover the sink drain to avoid losing parts.

Things You May Need

Installations may vary depending on how the previous faucet was installed. Supplies necessary for the installation of your faucet are not all included; however, they are available wherever plumbing supplies are sold.

Maintenance

Your new laundry faucet is designed for years of trouble-free performance.

Keep it looking new by cleaning it periodically with a soft cloth. Avoid abrasive cleaners, steel wool, and harsh chemicals as these will dull the finish and void your warranty.

Important Points

Prior to beginning installation, turn off the hot and cold water lines, then turn on the old faucet to release built-up pressure. When installing your new faucet, turn the connector nuts finger tight, then use one wrench to hold the fitting and a second wrench to tighten the nut. Connections that are too tight will reduce the integrity of the system.

Wrap all threaded connections with PTFE pipe tape available at your local hardware or plumbing supply store. Always wrap in a clock-wise direction.

Contact Us

For Customer Service please call 877-319-3757, or go to homeworksww.com.

Instructions

623662 – Chrome
16-U42-WNCH-B – Chrome

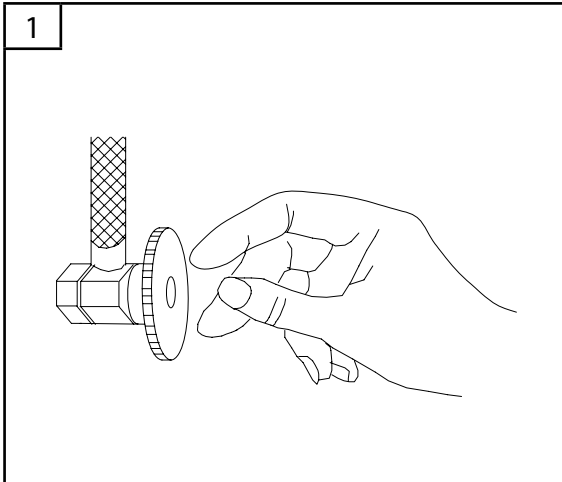


Certifications

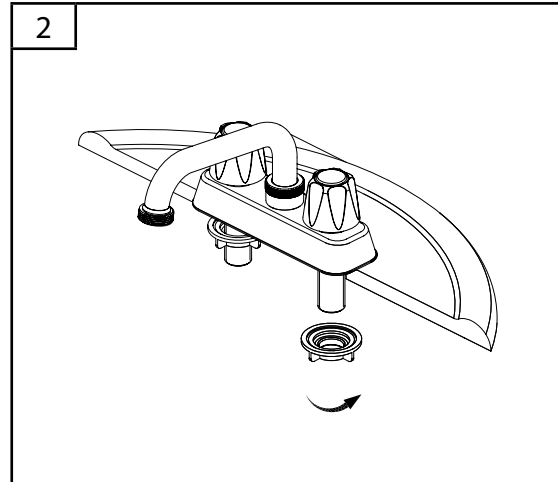


Two Handle Laundry Tray Faucet

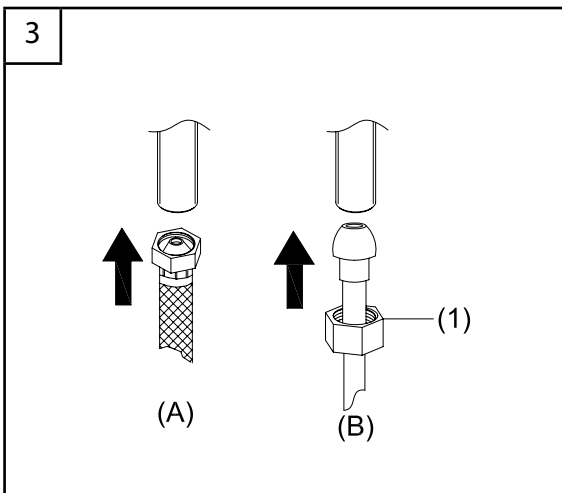
Preparation and Assembly



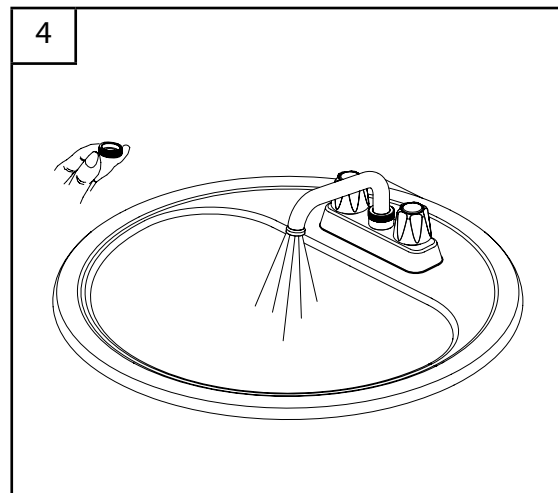
1
Locate water supply inlet and shut off water supply valve. These are usually found under the sink or near the water heater. Remove old faucet. Clean and dry sink surface area where new faucet will be mounted.



2
Place new faucet through holes in top of sink. From underside, slide washers onto threaded rods. Secure with washer and nuts.



3
Connect water supply lines.
(A) Use 1/2" IPS faucet supply lines or use coupling nuts (not supplied) with ball-nose risers (not included).
Turn water supply or shut-off valve back on and check for leaks. If leaks occur, gently tighten the faucet connections.



4
Important: After installation is completed, remove aerator. Turn on water supply and allow both hot and cold water to run for at least one minute each. While water is running, check for leaks. Replace aerator. Tighten nuts slightly to stop minor leaks. If problems persist, refer to troubleshooting chart.

NOTE: To use with hose, remove aerator housing. Attach hose with 3/4" garden hose adapter to aerator.

Troubleshooting

623662 – Chrome
16-U42-WNCH-B – Chrome



Certifications



Two Handle Laundry Tray Faucet

Troubleshooting

PROBLEM: Leaks underneath handle.

CAUSE: Bonnet has come loose or O-ring on cartridge is dirty or twisted.

ACTION:

1. Move the handle to the off position. Remove the handle (Diagram A).
2. Tighten the bonnet by turning it clockwise (Diagram B). Move the cartridge stem to the on position. The leak should stop draining out from around the cartridge stem.
3. If the leak does not stop, shut off the water supply. Remove the bonnet by turning it counter-clockwise. Lift out the cartridge valve (Diagram C). Inspect the larger O-ring on the cartridge bonnet and the smaller O-ring on the cartridge stem. Remove any debris from the O-rings. If either O-ring is twisted, straighten it out. If either O-ring is damaged, replace the cartridge by calling Customer Service.
4. Position the cartridge back into the faucet body (Diagram D). Make sure the ridges on the two sides of the cartridge bonnet fit into the grooves on the two sides of the faucet body. Tightly screw the bonnet onto the faucet body.
5. Re-install the handle.

PROBLEM: Water does not completely shut off.

CAUSE: Rubber valve seat is dirty, stuck, or broken.

ACTION:

1. Shut off the cold water supply. If leak stops, the problem is on the cold side. If leak continues, the problem is on the hot side. Shut off the hot water supply to determine if both the cold and hot side have a problem.
2. Remove the handle on the problem side. Loosen the bonnet by turning it counter-clockwise (Diagram E). Lift out the cartridge assembly.

3. Inspect the rubber valve seat in the faucet body. If there is debris or brass scrap on the surface of the seat, remove it. If the rubber seat is stuck tightly in the water inlet hole, push it gently with a fingertip so that it moves up and down smoothly. The spring (smaller end up) must be replaced underneath the valve seat. If the rubber valve seat is worn out or broken, replace the cartridge by calling Customer Service.
4. Replace the cartridge in the faucet body. Make sure that the ridges on the two sides of the cartridge bonnet fit into the grooves on the two sides of the faucet body (Diagram F). Tightly screw the bonnet onto the faucet body.
5. Re-install the handle.

PROBLEM: Faucet leaks around aerator.

CAUSE: Aerator incorrectly fitted.

ACTION:

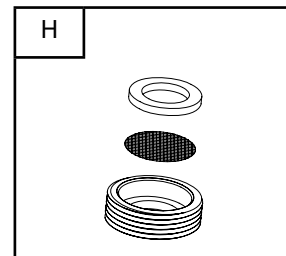
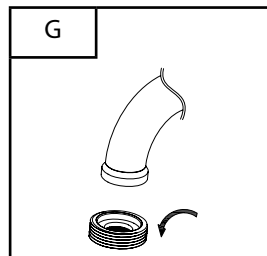
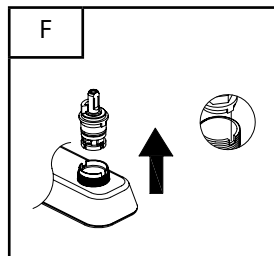
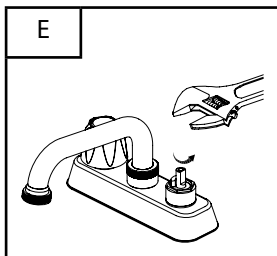
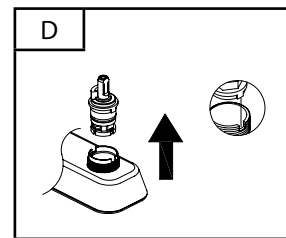
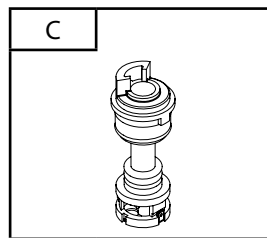
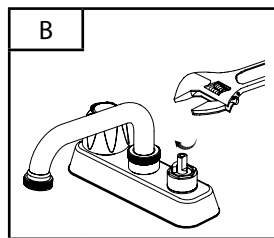
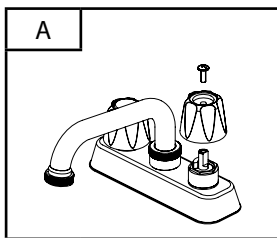
1. Unscrew the aerator by turning it clockwise (Diagram G). Inspect the black rubber packing inside the aerator. The rubber packing should be flat.
2. Screw the aerator onto the spout end and tighten.

PROBLEM: Improper water pattern.

CAUSE: Aerator dirty or small parts inside aerator improperly installed.

ACTION:

1. Remove the aerator from the spout end by turning it clockwise.
2. Gently flush the small parts inside the aerator to clear away any debris.
3. Re-install the small parts as shown in the exploded diagram (Diagram H). Metal screens must be flat and plastic supporter must be straight.
4. Screw the aerator onto the spout end and tighten.



Specifications



Certifications

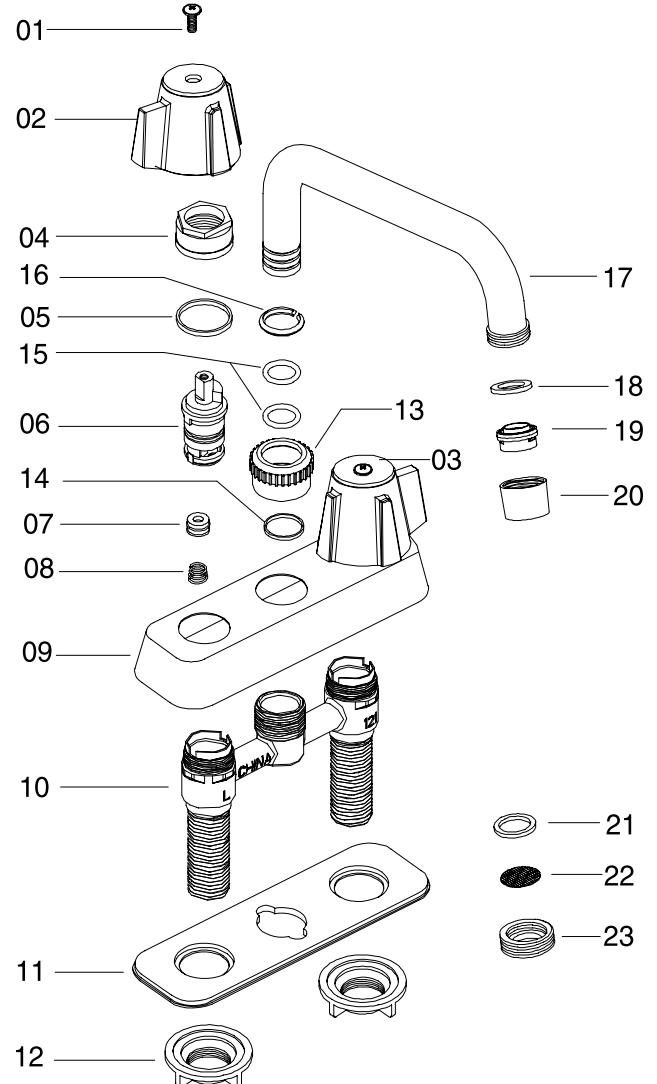


623662 - Chrome
16-U42-WNCH-B - Chrome

Physical Characteristics

- Description: 2 metal handle laundry tray faucet with 4" center set, 1/4-turn washerless cartridges, brass waterways and hose connector
- Finish: Polished chrome
- Max. Flow Rate: 2.2 GPM (8.3 LPM)
- ASME A112.18.1/CSA B125 Certified
- Total Weight of Item: 1.65 lbs.

No.	Part Description	Material
1	Screw	S.S.304
2	Handle - H	ZZnA14 (C.P.)
3	Handle - C	ZZnA14 (C.P.)
4	Bonnet	Zinc Alloy EZDA 3# (C.P.)
5	Washer	POM M90
6	Cartridge	POM M90+C37700+SUS302/304
7	Washer	NBR N-583
8	Spring	SUS302/304
9	Escutcheon	ABS
10	Body	Plastic+Brass+Rubber
11	Base plate	PP+30%C
12	Mounting nut	ABS PA727
13	Locking nut	Zinc Alloy EZDA 3# (C.P.)
14	Washer	POM M90
15	O-ring	NBR N7008F
16	Spout ring	POM M90
17	Spout	Brass C27000 (C.P.)
18	Aerator assembly	EPDM E7008F
19		POM M90+S.S.
20		Brass C37700 (C.P.)
21	Hose Connector assembly	EPDM E7008F
22		S.S. 304
23		Brass C37700 (C.P.)



Rough-In

623662 - Chrome
16-U42-WNCH-B - Chrome



Certifications



Two Handle Laundry Tray Faucet

