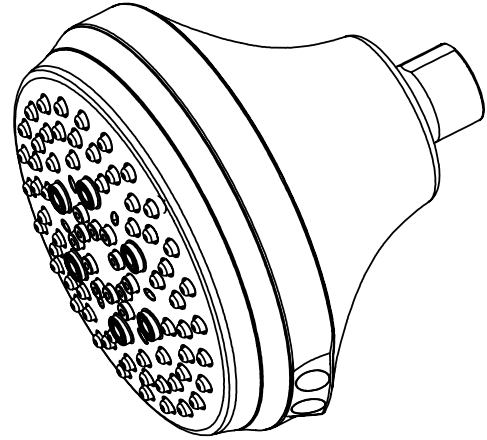




WALL MOUNT SHOWERHEAD WITH SMARTWAVE TECHNOLOGY AND COLOR TEMP LED

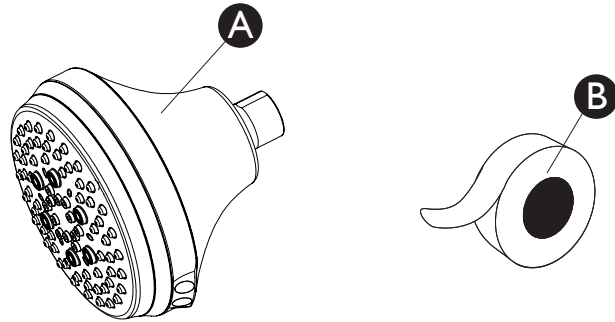
4F127ALCH – Chrome finish, 1.8 GPM
 4F127BLCH* – Chrome finish, 2.5 GPM
 4F127BLBN* – Brushed nickel finish, 2.5 GPM

*NOTE: 4F127BLCH and 4F127BLBN are not WaterSense certified



PACKAGE AND HARDWARE CONTENTS

PART	DESCRIPTION	QUANTITY
A	Showerhead	1
B	PTFE tape	1



PREPARATION

Before beginning assembly of product, make sure all parts are present. Compare parts with package contents list and hardware contents. If any part is missing or damaged, do not attempt to assemble the product. Contact customer service for replacement parts at (877) 319-3757, 8 a.m. - 5 p.m., CST, Monday - Friday.

Estimated Assembly Time: 15 minutes

Tools Required for Assembly (not included): Adjustable Wrench

Installations may vary depending on how the previous showerhead was installed. Supplies necessary for the installation of the showerhead are not all included; however, they are available wherever plumbing supplies are sold.

Prior to beginning installation, turn off the hot and cold water lines, then turn on the old faucet to release built-up pressure. When installing the new faucet, hand tighten the connector nuts. **DO NOT OVERTIGHTEN.** Connections that are too tight will reduce the integrity of the system.

BUILT-IN HYDRO-GENERATOR – PROPER OPERATION

This showerhead is designed to operate under water pressure of 20 - 80 PSI. Water pressure lower than 20 PSI will not generate enough power to run the built-in hydro-generator system. Water pressure higher than 80 PSI may damage internal components.

WARNING

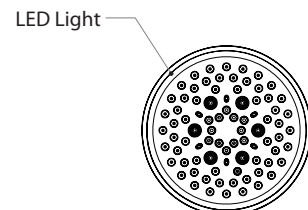
Do not remove the flow restrictor. Operating without the flow restrictor will cause the electrical components to fail.

COLOR TEMP LED

Color of LED light changes automatically according to water temperature:

BLUE: Cool under 81°F (27°C)
 GREEN: Warm 81-106°F (27-41°C)
 RED: Hot above 106°F (41°C)

NOTE: When water temperature stays at 81°F (27°C) and 106°F (41°C), LED color may change between two colors.



PRODUCT SPECIFICATIONS

SPECIFICATIONS

Max. Flow Rate - 4F127ALCH: 1.8 GPM (6.8 LPM) at 80 PSI
Max. Flow Rate - 4F127BLCH and 4F127BLBN: 2.5 GPM (9.5 LPM) at 80 PSI

SPECIFICATIONS

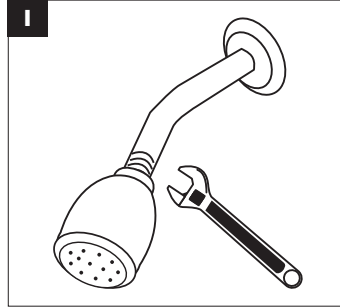
Chrome or brushed nickel finish

ASSEMBLY INSTRUCTIONS

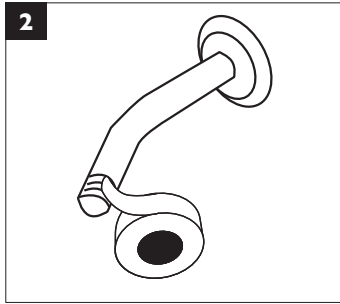
1. Remove existing showerhead with wrench (not included) and clean threads of shower arm.

NOTE: Be careful not to unscrew the shower arm.

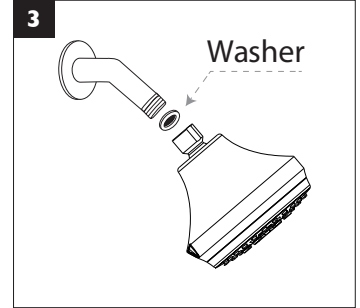
Before installing the new showerhead, flush the pipework through to remove any debris that may be in the system.



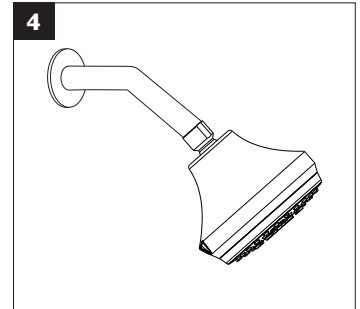
2. Apply PTFE tape onto the threads of the shower arm in a clockwise direction.



3. Check the new showerhead to ensure that the washer is in place. Carefully align the threads.



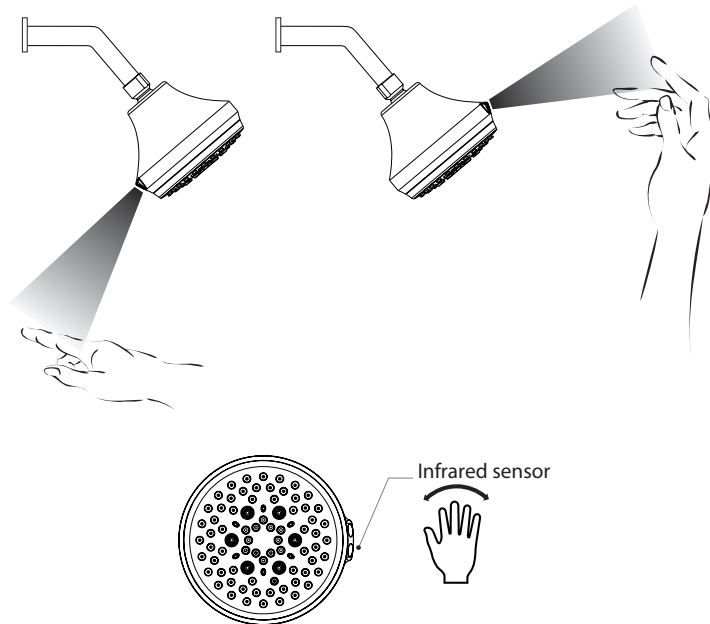
4. Install new showerhead to shower arm and hand tighten (do not overtighten). Turn on water and check for leaks.



ADJUSTING SPRAY SETTINGS

Rotate the showerhead only in a clockwise direction to position the infrared sensor where it works best for you after it is installed onto the shower arm and tightened.

To switch between the four spray settings, wave your hand in front of the infrared sensor on the showerhead.



TROUBLESHOOTING

PROBLEM	CORRECTIVE ACTION
No water flow from installed showerhead.	<ol style="list-style-type: none"> 1. Confirm previous showerhead washer is not in the shower arm. 2. Confirm there is only one washer in the pivot ball of the new showerhead.
Low water pressure or missing spray patterns.	<ol style="list-style-type: none"> 1. Clean showerhead using a vinegar and water solution. (See care and maintenance section). 2. Clean filter screen. 3. Water pressure under 20 PSI.
Leaking at pipe or pivot ball connection.	<ol style="list-style-type: none"> 1. Confirm only one washer is seated on top of the filter screen.

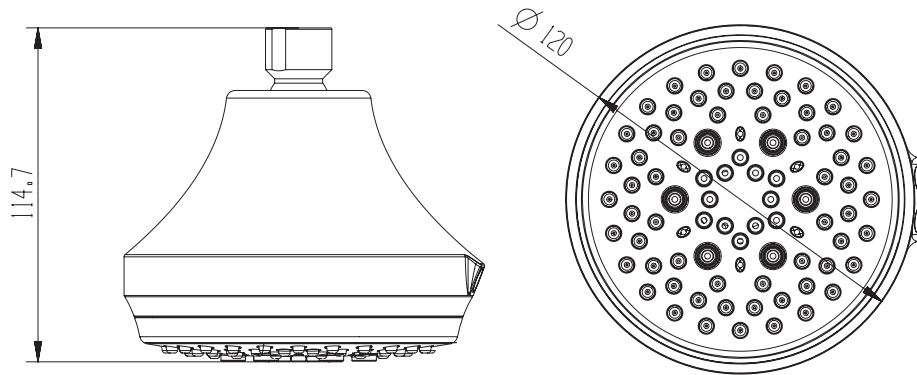
CARE AND MAINTENANCE

To ensure a good performance, clean the filter screen regularly.

1. Remove the showerhead from the shower arm to get to filter screen.
2. Run the filter screen under water for a few minutes to flush out any build-up.
3. A small soft brush can be use to gently brush away any mineral deposits.
4. Place the filter screen back into the ball joint of the showerhead and re-insall the showerhead to the shower arm.

Clean showerhead periodically with a soft cloth. Avoid abrasive cleaners, steel wool, and harsh chemicals as these will dull the finish and void your warranty. To help clear away lime scale build-up, soak showerhead in a 1:1 ratio of vinegar and water.

ROUGH-IN



LIMITED LIFETIME WARRANTY

The distributor warrants to the original consumer purchaser this product to be free from defects in material and workmanship under normal use in residential applications. At its option, the Company will provide repair parts or replace defective product when the product is used in accordance with the manufacturer's specifications.

Use of mild abrasive, abrasive or chemical cleaners may damage the finish of the faucet. We recommend cleaning your faucet with a soft cloth, moistened with water. Damage resulting from the use of abrasive or chemical cleaners SHALL VOID THIS WARRANTY.

This warranty is not applicable to any products or parts of products where damage is caused by use of non-genuine parts; is due to installation error; product misuse, negligence or faulty maintenance; or where the product is not installed according to local building codes.

This warranty excludes labor charges or damage incurred during installation, repair or replacement, and any indirect, incidental or consequential damages, losses, injury or costs of any nature. This warranty is in lieu of and excludes all other warranties, conditions and guarantees, whether expressed or implied, including without restriction those of merchantability or fitness of use.

Liability under this warranty will not exceed the purchase price for the product claimed to be defective by the original consumer purchaser. Some states or provinces do not allow the exclusion or limitation of consequential damages so the above limitations or exclusions may not apply. This warranty gives you specific legal rights and you may also have other rights which vary from state to state, or province to province.

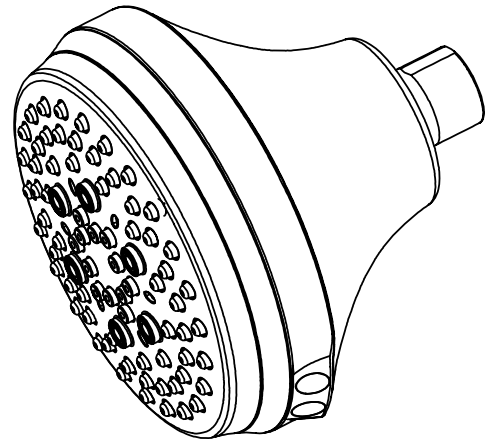
Inquiries regarding warranty claims can be directed to (877) 319-3757, 8 a.m. - 5 p.m., CST, Monday - Friday.



BASE DE DUCHA PARA MONTAR EN LA PARED CON TECNOLOGÍA SMARTWAVE Y COLOR TEMP LED

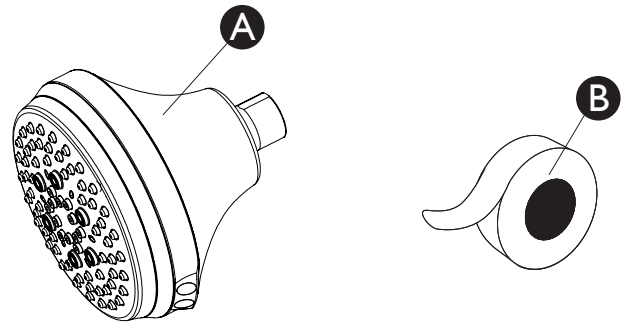
4F127ALCH – Acabado en cromo pulido, 1,8 GPM
 4F127BLCH* – Acabado en cromo pulido, 2,5 GPM
 4F127BLBN* – Acabado níquel pulido, 2,5 GPM

***NOTA:** 4F127BLCH y 4F127BLBN no tiene certificación WaterSense



PAQUETE DE HARDWARE Y CONTENIDO

PARTE	DESCRIPCIÓN	CANTIDAD
A	Cuerpo del grifo	1
B	Cinta de PTFE	1



PREPARACIÓN

Antes de empezar el montaje del producto, asegúrese de tener todas las piezas. Comparar las piezas con la lista del contenido del paquete y el contenido de hardware. Si alguna parte falta o está dañada, no intente ensamblar el producto. Póngase en contacto con el servicio al cliente para las piezas de repuesto.

Tiempo estimado de ensamblaje: 15 minutos

Herramientas necesarias para el ensamblaje (no incluidas): Llave ajustable

Instalaciones pueden variar en función de cómo se instaló la bañera previa y grifo de la ducha. Suministros necesarios para la instalación de la llave de agua no están incluidos; Sin embargo, están disponibles siempre que sea de fontanería suministros se venden.

Antes de comenzar la instalación, desactive las líneas de agua caliente y fría, a continuación, encender la vieja bañera y ducha grifo para liberar la presión acumulada. Al instalar el nuevo grifo, apriete a mano las tuercas de conexión. **NO APRIETE.** Las conexiones que son demasiado apretados reducirán la integridad del sistema.

HIDROGENERADOR INCORPORADO - OPERACIÓN PROPER

Este cabezal de ducha está diseñado para operar bajo una presión de agua de 20 a 80 PSI. La presión del agua inferior a 20 PSI no generará suficiente energía para ejecutar el sistema de hidrogenerador incorporado. La presión del agua superior a 80 PSI puede dañar los componentes internos.

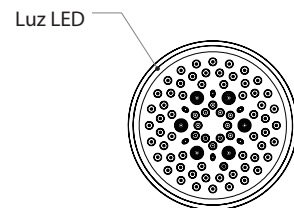
ADVERTENCIA

No quite el restrictor de flujo. Operar sin el limitador de flujo hará que los componentes eléctricos fallen.

COLOR TEMP LED

El color de la luz LED cambia automáticamente según la temperatura del agua:
 AZUL: enfriar a 81°F (27°C)
 VERDE: Cálido 81-106°F (27-41°C)
 ROJO: caliente por encima de 106°F (41°C)

NOTA: Cuando la temperatura del agua se mantiene a 81°F (27°C) y 106°F (41°C), el color del LED puede cambiar entre dos colores.



ESPECIFICACIONES DEL PRODUCTO

ESPECIFICACIONES

Caudal de flujo - 4F127ALCH: 1,8 GPM (6,8 LPM) a 80 PSI
Caudal de flujo - 4F127BLCH y 4F127BLBN: 2,5 GPM (9,5 LPM) a 80 PSI

ESPECIFICACIONES

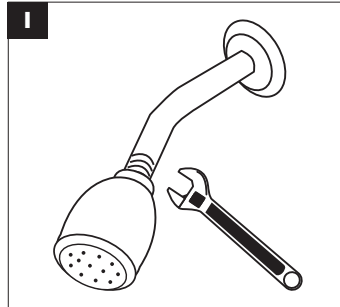
Acabado en cromo pulido o níquel cepillado

INSTRUCCIONES DE MONTAJE

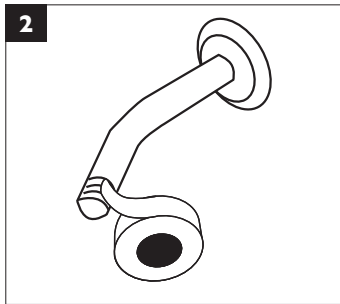
1. Retire la cabeza de ducha existente con una llave (no incluida) y limpie las roscas del brazo de la ducha.

NOTA: tenga cuidado de no desenroscar el brazo de la ducha.

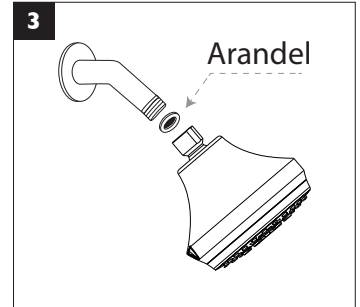
Antes de instalar el nuevo cabezal de ducha, lave las tuberías para eliminar cualquier residuo que pueda haber en el sistema.



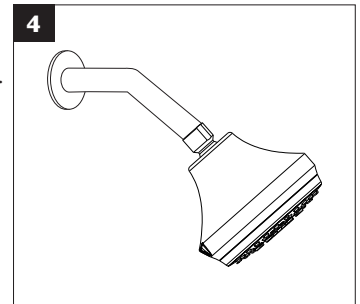
2. Aplique cinta de PTFE en las roscas del brazo de la ducha en el sentido de las agujas del reloj.



3. Verifique el nuevo cabezal de ducha para asegurarse de que la lavadora esté en su lugar. Alinee cuidadosamente los hilos.



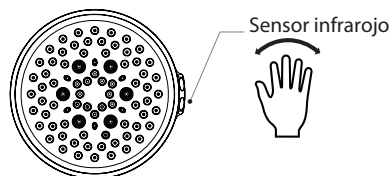
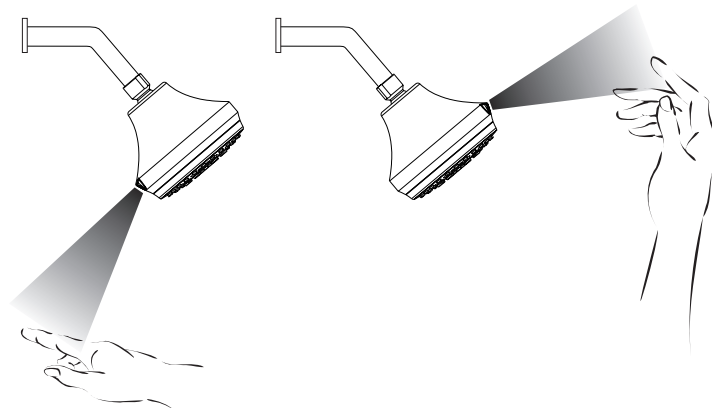
4. Instale un nuevo cabezal de ducha en el brazo de la ducha y apriételo a mano (no lo apriete demasiado). Abra el agua y verifique si hay fugas.



AJUSTES DE SPRAY

Gire el cabezal de ducha para ubicar el sensor de infrarrojos donde mejor se adapte a usted.

Para cambiar entre las cuatro configuraciones de pulverización, mueva su mano hacia delante del sensor de infrarrojos en el cabezal de ducha.



SOLUCIÓN DE PROBLEMAS

PROBLEMA	ACCIÓN CORRECTIVA
No hay flujo de agua desde la cabeza de ducha instalada.	<ol style="list-style-type: none"> 1. Confirme que la lavadora anterior no está en el brazo de la ducha. 2. Confirme que haya una sola arandela en la bola giratoria del nuevo cabezal de ducha.
Baja presión de agua o patrones de pulverización faltantes.	<ol style="list-style-type: none"> 1. Limpie el cabezal de la ducha con una solución de vinagre y agua. (Ver cuidado y sección de mantenimiento). 2. Limpie la pantalla del filtro de pantalla. 3. Presión de agua por debajo de 20 PSI.
Fugas en la conexión de tubería o bola de pivote.	<ol style="list-style-type: none"> 1. Confirme que solo una lavadora está asentada en la parte superior de la pantalla del filtro.

CUIDADO Y MANTENIMIENTO

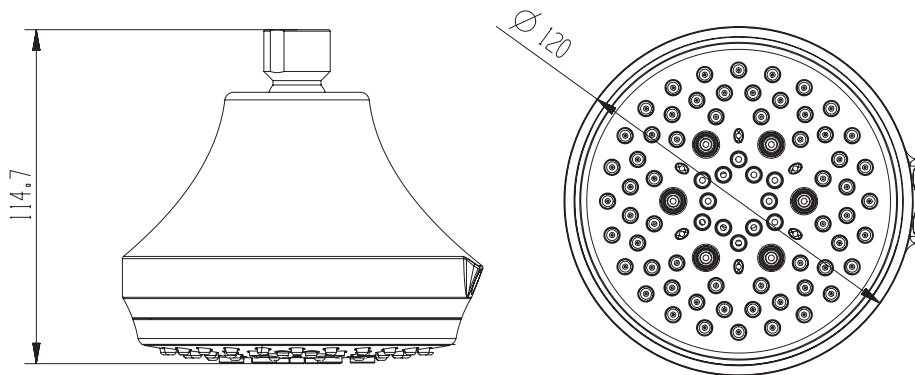
To ensure a good performance, clean the filter screen regularly.

1. Remove the showerhead from the shower arm to get to filter.
2. Run the filter screen under water for a few minutes to flush out any build-up.
3. A small soft brush can be use to gently brush any mineral deposits.
4. Place the filter screen back into the ball joint of the showerhead and re-insall the showerhead to the shower arm.

Clean showerhead periodically with a soft cloth. Avoid abrasive cleaners, steel wool, and harsh chemicals as these will dull the finish and void your warranty.

To help clear away lime scale build-up, soak showerhead in a 1:1 ratio of vinegar and water.

ÁSPERA EN



GARANTIA LIMITADA D E POR VIDA

The distributor warrants to the original consumer purchaser this product to be free from defects in material and workmanship under normal use in residential applications. At its option, the Company will provide repair parts or replace defective product when the product is used in accordance with the manufacturer's specifications.

Use of mild abrasive, abrasive or chemical cleaners may damage the finish of the faucet. We recommend cleaning your faucet with a soft cloth, moistened with water. Damage resulting from the use of abrasive or chemical cleaners **SHALL VOID THIS WARRANTY.**

This warranty is not applicable to any products or parts of products where damage is caused by use of non-genuine parts; is due to installation error; product misuse, negligence or faulty maintenance; or where the product is not installed according to local building codes.

This warranty excludes labor charges or damage incurred during installation, repair or replacement, and any indirect, incidental or consequential damages, losses, injury or costs of any nature. This warranty is in lieu of and excludes all other warranties, conditions and guarantees, whether expressed or implied, including without restriction those of merchantability or fitness of use.

Liability under this warranty will not exceed the purchase price for the product claimed to be defective by the original consumer purchaser. Some states or provinces do not allow the exclusion or limitation of consequential damages so the above limitations or exclusions may not apply. This warranty gives you specific legal rights and you may also have other rights which vary from state to state, or province to province.

Inquiries regarding warranty claims can be directed to (877) 319-3757, 8 a.m. - 5 p.m., CST, Monday - Friday.