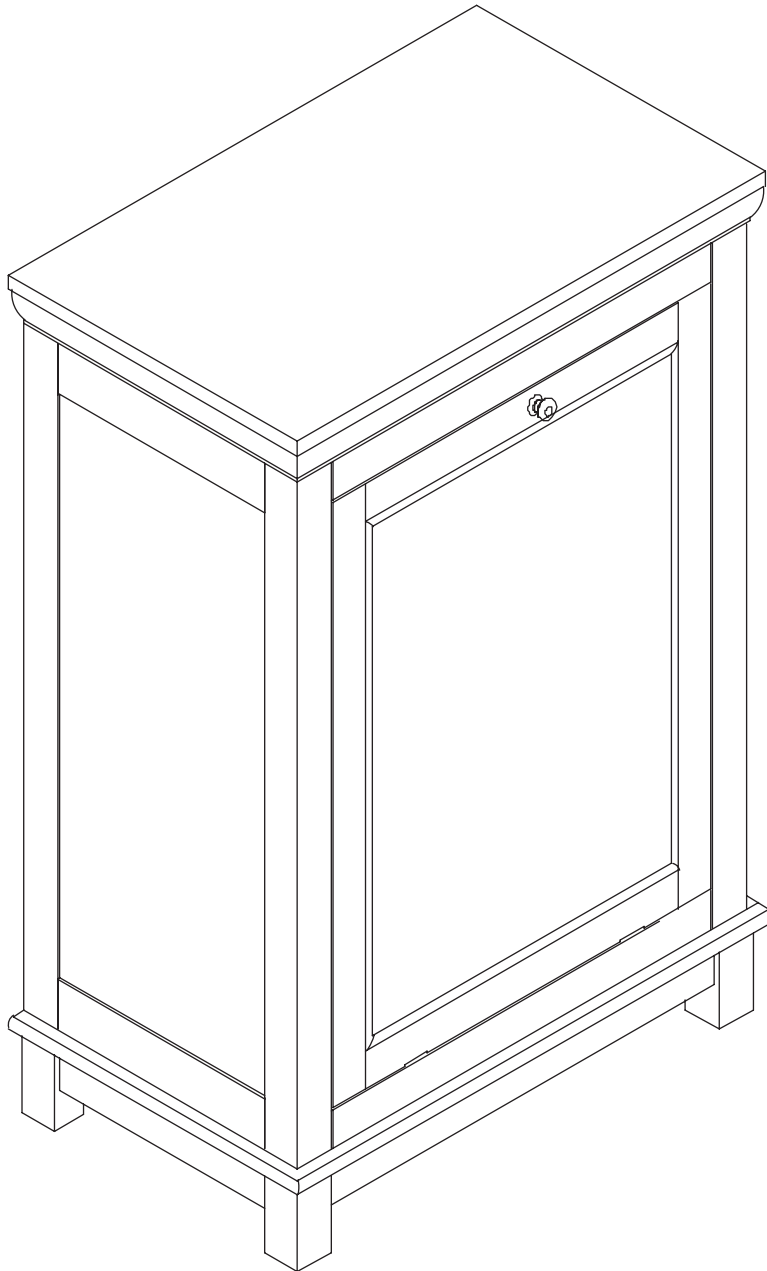




MODEL #HF01-HKQ-WH
#HF01-HKQ-ES

BATHROOM HAMPER



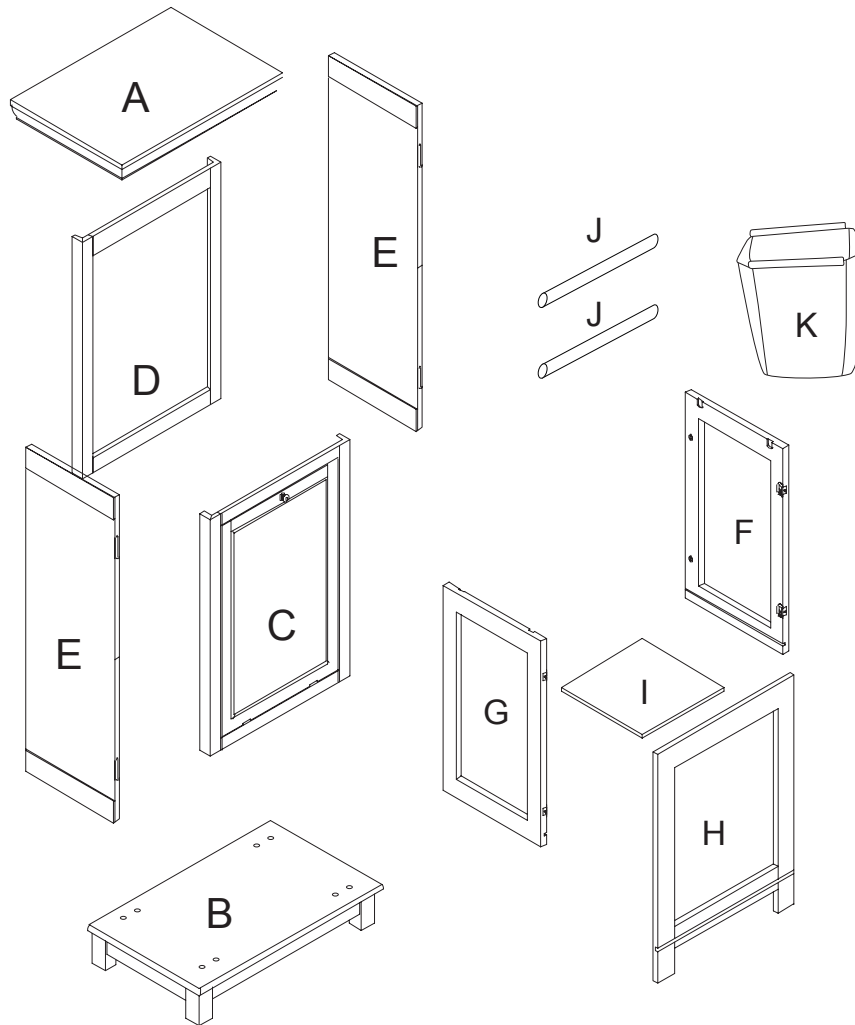
Questions, problems, missing parts? Before returning to your retailer, call our customer service department at 1-877-319-3757, 8 a.m. - 5 p.m., CST, Monday - Friday.

READ AND SAVE THESE INSTRUCTIONS

TABLE OF CONTENTS

Package Contents	2
Safety Information.....	3
Preparation.....	3
Assembly Instructions.....	3
Warranty.....	6

PACKAGE CONTENTS



PART	DESCRIPTION	QUANTITY
A	Top panel	1
B	Base	1
C	Front panel	1
D	Back panel	1
E	Side panel	2
F	Inner right side	1

PART	DESCRIPTION	QUANTITY
G	Inner left side	1
H	Inner back	1
I	Inner bottom panel	1
J	Cross bar	2
K	Laundry bag	1

SAFETY INFORMATION

Please read and understand this entire manual before attempting to assemble, operate or install the product.

WARNING

- Do not load this unit with more than 30 lbs.
- Safely discard all packing material.
- Keep small parts away from children.
- The assistance of another person may be required to help install this unit.

CAUTION

Take care when moving the product and never drag the pieces across the floor as this will cause damage to the joints.

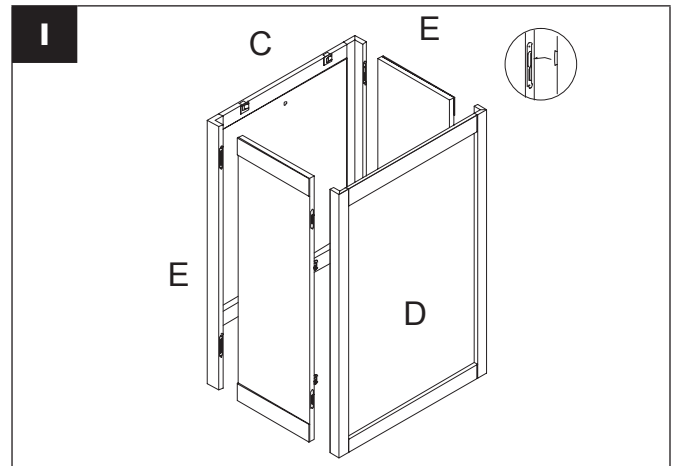
PREPARATION

Before beginning assembly of product, make sure all parts are present. Compare parts with package contents list and hardware contents list. If any part is missing or damaged, do not attempt to assemble the product.

Estimated Assembly Time: 60 minutes

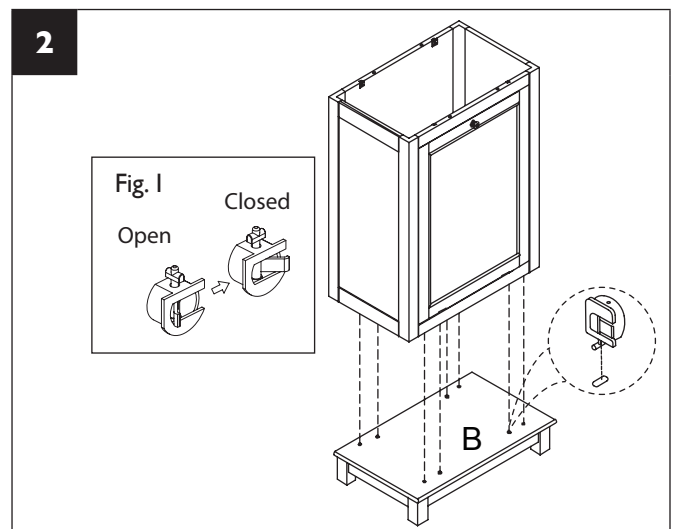
ASSEMBLY INSTRUCTIONS

1. Attach both panels (E) to the front panel (C) by inserting the tabs on the side panel (E) into the slots on the front panel (C) and push down until the side panel (E) slides into place. Repeat this step for the back panel (D).



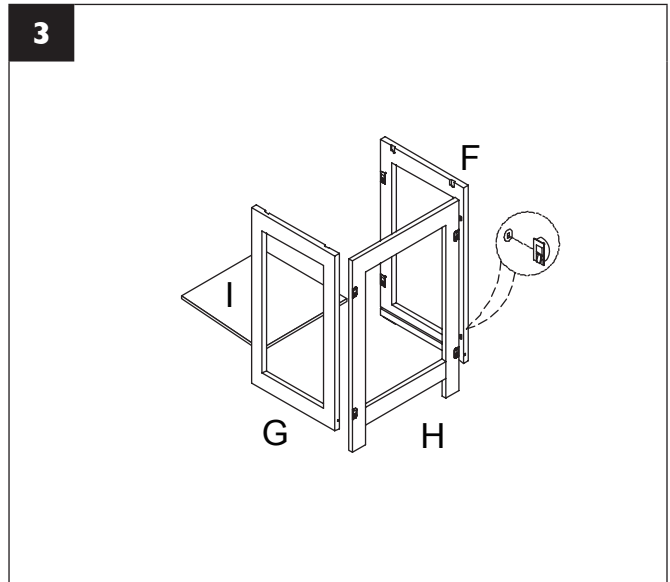
2. Attach the base (B) to the assembled unit and twist the locking nut clockwise to secure in place.
NOTE: For all applicable steps, ensure the direction of the locking bolt is parallel when inserted into the nut on the panel.

Lock Nut Operation: To attach a panel with the built-in locking nut, start by ensuring that the tab on the locking nut is in the open position (Fig. 1). By opening the tab on the locking nut, the knob on top of the nut will be aligned with the direction of the slot on the panel you are attaching. Slide the knob into the slot on the second panel. Then close the tab on the locking nut to rotate the knob, securing the two panels together.

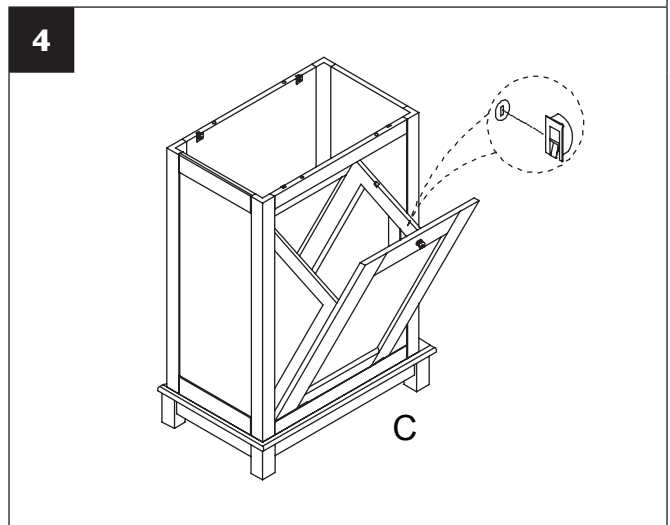


ASSEMBLY INSTRUCTIONS

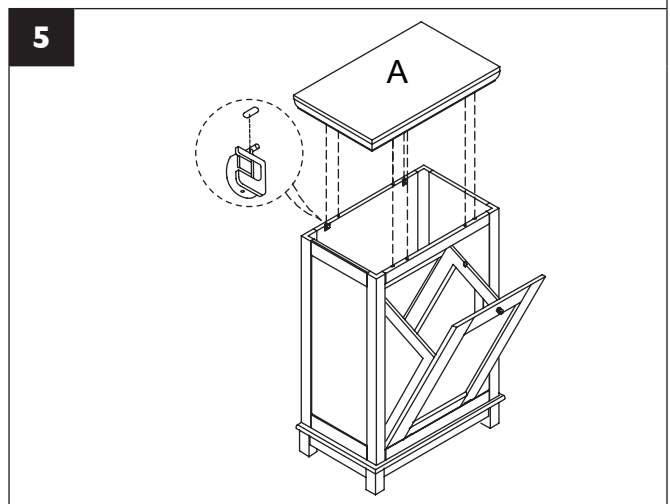
3. Attach the inner left side (G) to the inner back (H) and twist the locking nut clockwise to secure in place.
Repeat this step for the inner right side panel (F).
Slide the inner bottom panel (I) into the slots on the inner right side (F) and the inner left side (G).



4. Attach the inner assembled unit to the front panel (C) and twist the locking nut clockwise to secure in place.

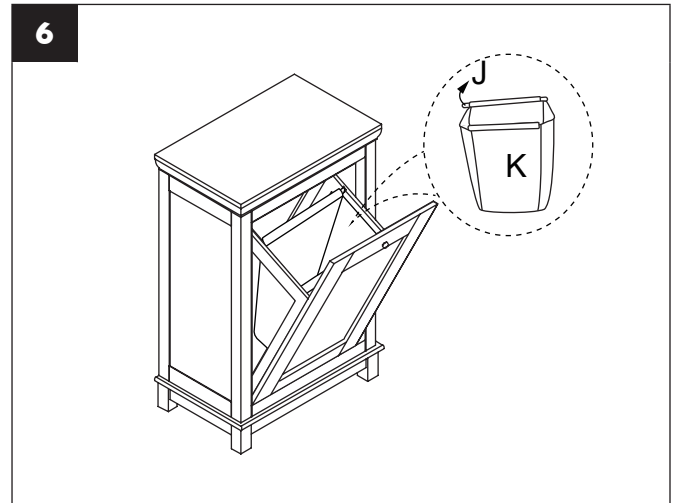


5. Attach the top panel (A) to the assembled unit, and twist the locking nut clockwise to secure in place.



ASSEMBLY INSTRUCTIONS

- Place the cross bar (J) with the laundry bag (K) to the assembled unit. Attach Velcro® to both sides (not included).



CARE AND MAINTENANCE

Wipe with a soft, dry cloth as needed. Do not use abrasive cleaners.

LIMITED 1-YEAR WARRANTY

The manufacturer warrants this product to be free from defects in workmanship and material present at time of shipment from the factory for a limited lifetime from the date of purchase. This warranty applies only to the original purchaser. To obtain warranty service, call our customer service department at 1-877-319-3757 for return authorization and shipping instructions. Any damage to the product by accident, misuse or improper installation, or by affixing accessories not produced by the manufacturer are the purchaser's responsibility. The manufacturer assumes no responsibility whatsoever for product installation during the warranty period. There is no future expressed warranty. The manufacturer disclaims any and all implied warranties. The manufacturer shall not be liable for incidental, consequential or special damages arising at or in connection with product use or performance except as may otherwise be accorded by law. This warranty supersedes all prior warranties.

Inquiries regarding warranty claims can be directed to 1-877-319-3757, 8 a.m. - 5 p.m., CST, Monday - Friday.