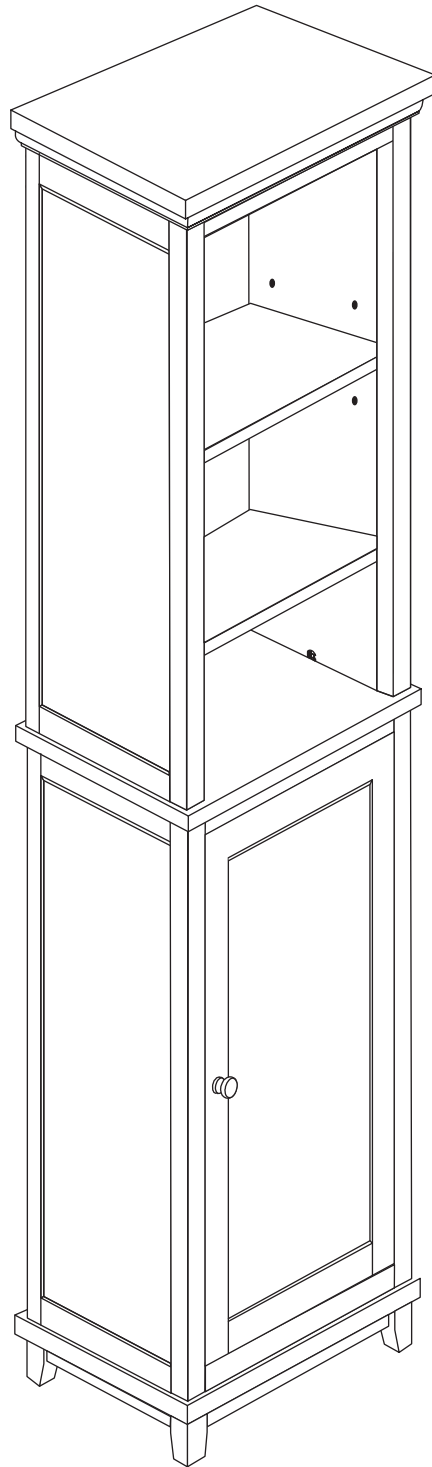




MODEL #HF01-LKQ-WH  
#HF01-LKQ-ES

## BATHROOM LINEN TOWER



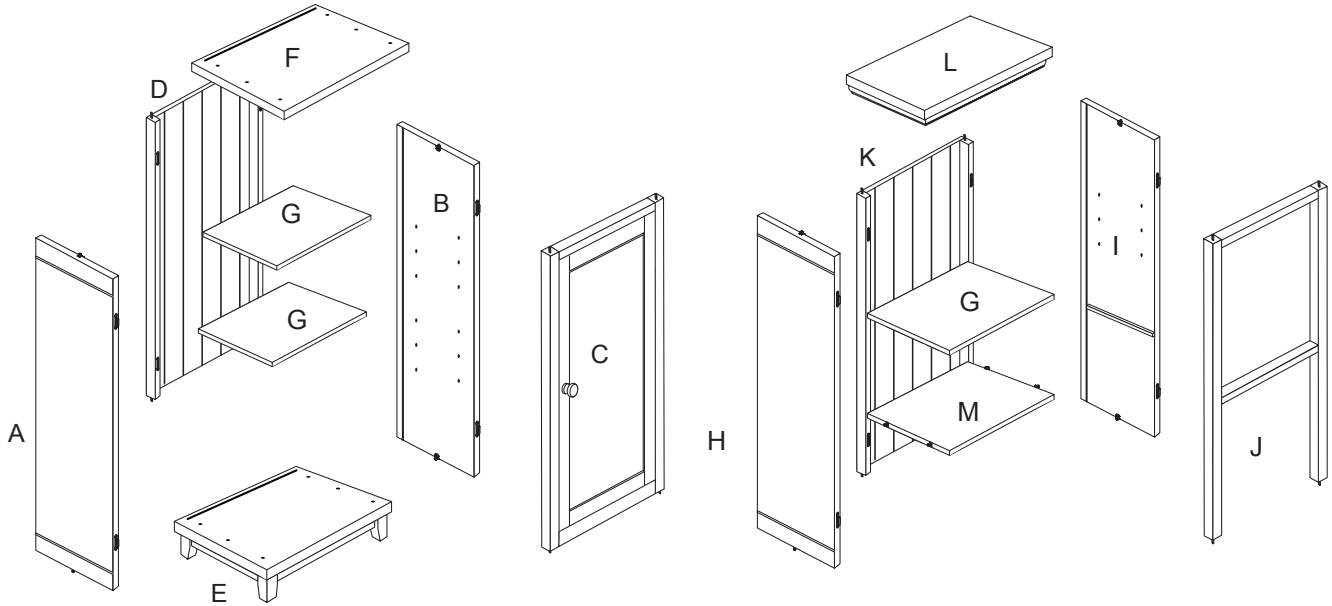
**Questions, problems, missing parts?** Before returning to your retailer, call our customer service department at 1-877-319-3757, 8 a.m. - 5 p.m., CST, Monday - Friday.

**READ AND SAVE THESE INSTRUCTIONS**

## TABLE OF CONTENTS

Package and Hardware Contents.....	2
Safety Information.....	3
Preparation.....	3
Assembly Instructions.....	3
Warranty.....	6

## PACKAGE AND HARDWARE CONTENTS



PART	DESCRIPTION	QUANTITY
A	Left lower side	1
B	Right lower side	1
C	Lower front	1
D	Lower back panel	1
E	Base	1
F	Middle panel	1
G	Movable shelf	3

PART	DESCRIPTION	QUANTITY
H	Left upper side	1
I	Right upper side	1
J	Upper front	1
K	Upper back panel	1
L	Top panel	1
M	Shelf	1

## HARDWARE

AA



Shelf support  
Qty. 12

BB



Screw  
Qty. 2

CC



Anchor  
Qty. 2

## SAFETY INFORMATION

Please read and understand this entire manual before attempting to assemble, operate or install the product.

## WARNING

- Do not load this unit with more than 30 lbs.
- Safely discard all packing material.
- Keep small parts away from children.
- The assistance of another person may be required to help install this unit.

**FOR SAFE AND PROPER USE TO AVOID TIPPING HAZARD:** Use provided hardware to secure furniture to the wall.

## CAUTION

Take care when moving the product and never drag the pieces across the floor as this will cause damage to the joints.

## PREPARATION

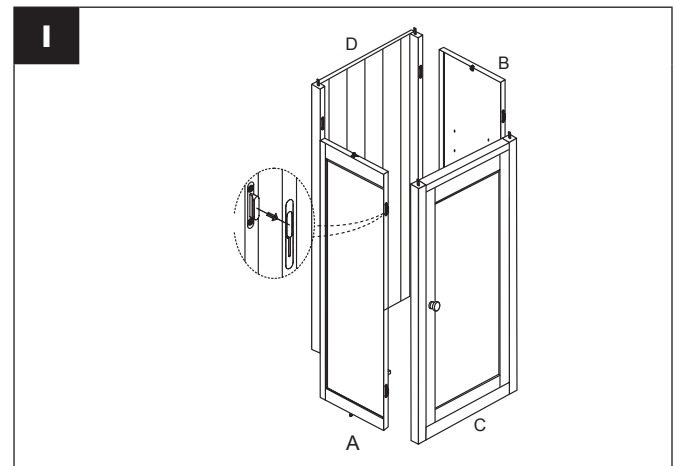
Before beginning assembly of product, make sure all parts are present. Compare parts with package contents list and hardware contents list. If any part is missing or damaged, do not attempt to assemble the product.

**Estimated Assembly Time: 30 minutes**

**Tools Required for Installation To Wall (not included):** Screwdriver; Hammer; Electric Drill, 3/16 in. Drill Bit, Level and Pencil.

## ASSEMBLY INSTRUCTIONS

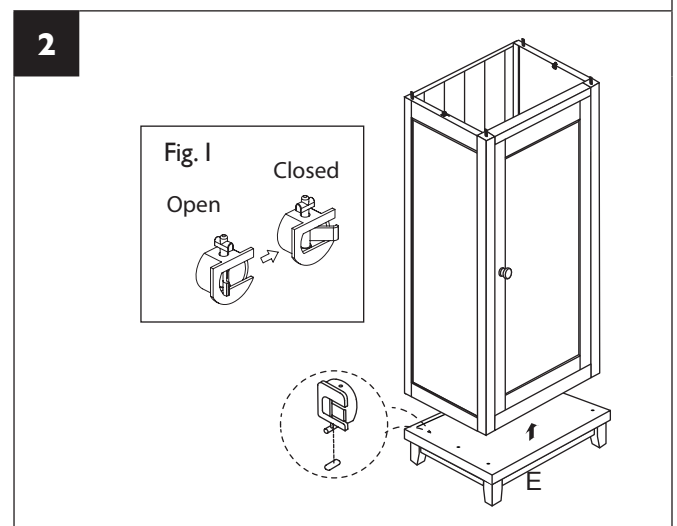
1. Attach left lower side (A) to lower back panel (D) by inserting the tabs on the left lower side (A) into the slots on the lower back panel (D) and push down until the left lower side (A) slides into place. Repeat this step for right lower side (B). Attach left lower side (A) to lower front (C) by inserting the tabs on the left lower side (A) into the slots on the lower front (C) and push down until the left lower side (A) slides into place. Repeat this step for right lower side (B).



2. Attach base (E) to the assembled unit and twist the locking nut clockwise to secure in place.

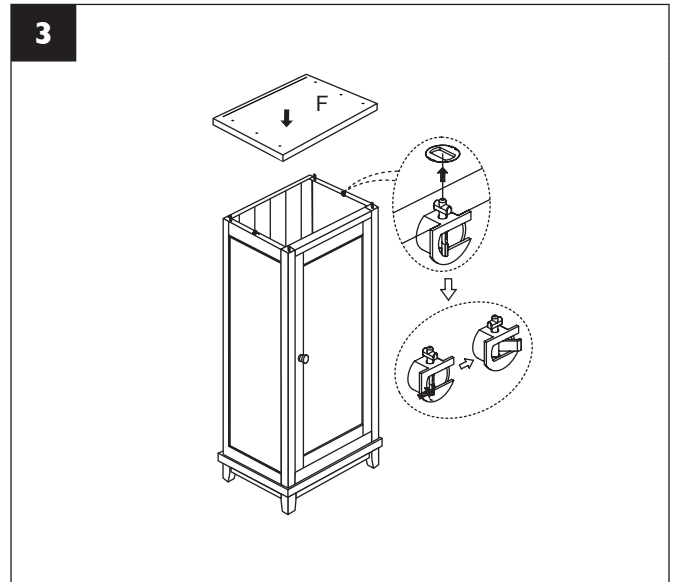
Note: For all applicable steps, ensure the direction of locking bolt is parallel when inserted into the nut on the panel.

**Lock Nut Operation:** To attach a panel with the built-in locking nut, start by ensuring that the tab on the locking nut is in the open position (Fig. 1). By opening the tab on the locking nut, the knob on top of the nut will be aligned with the direction of the slot on the panel you are attaching. Slide the knob into the slot on the second panel. Then close the tab on the locking nut to rotate the knob, securing the two panels together.

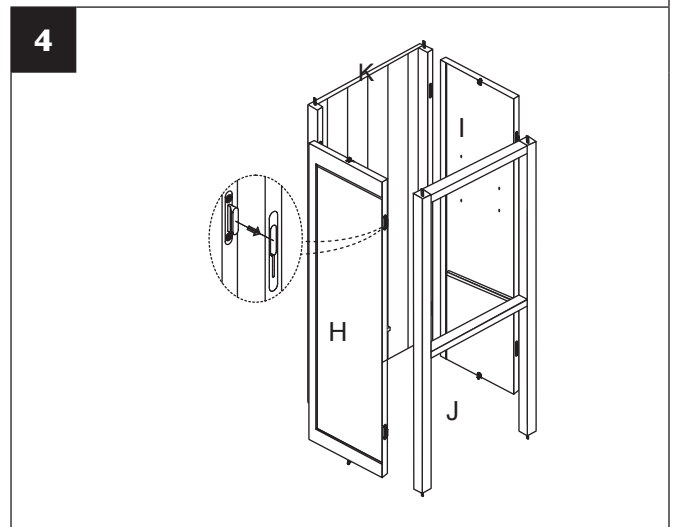


## ASSEMBLY INSTRUCTIONS

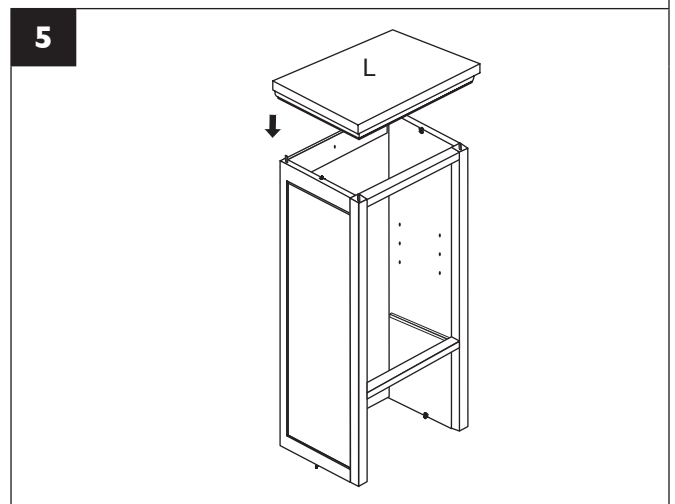
3. Attach middle panel (F) to the assembled unit and twist the locking nut clockwise to secure in place.



4. Attach left upper side (H) to upper back panel (K) by inserting the tabs on the left upper side (H) into the slots on the upper back panel (K) and push down until the left upper side (H) slides into place. Repeat this step for right upper side (I). Attach left upper side (H) to upper front (J) by inserting the tabs on the left upper side (H) into the slots on the upper front (J) and push down until the left upper side (H) slides into place. Repeat this step for right upper side (I).

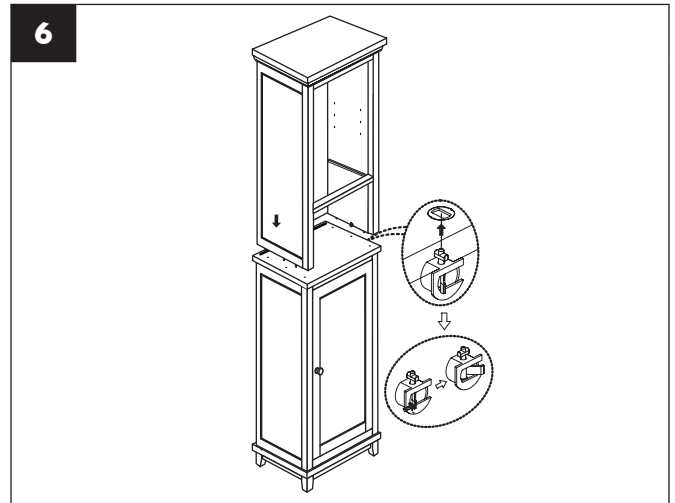


5. Attach top panel (L) to the assembled upper unit and twist the locking nut clockwise to secure in place.



# ASSEMBLY INSTRUCTIONS

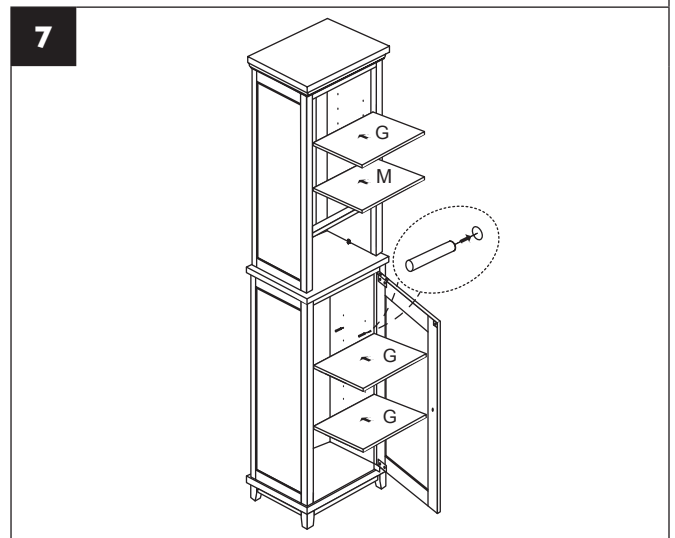
6. Attach the assembled upper unit to the assembled lower unit and twist the locking nut clockwise to secure in place.



7. Put shelf (M) into unit. Insert shelf support (AA) into unit. Put movable shelf (G) into unit.

## Hardware Used

AA Shelf support  x 12



## 8. INSTALLATION TO WALL

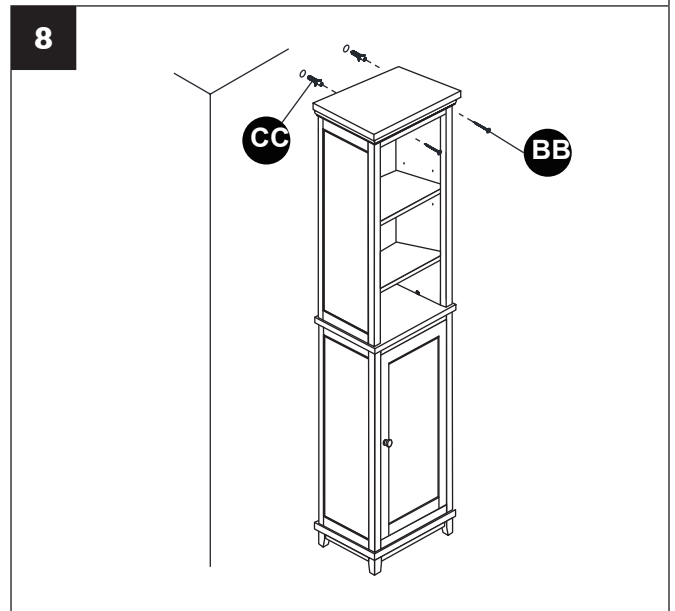
With the help of another person, move the assembly unit to desired location. Use a pencil (not included) to mark the pre-drilled holes on upper back panel (K) onto the wall. Set assembled unit aside.

Use a 3/16 in. drill bit (not included) to drill 1/4 in. pilot holes at the marked locations. Insert anchors (CC) into holes until they are flush with the wall, then move assembly back into position. Secure item to the wall by inserting the screws (BB) through upper back panel (K) and into the anchors (CC).

## Hardware Used

BB Screw  x 2

CC Anchor  x 2



## **CARE AND MAINTENANCE**

---

Wipe with a soft, dry cloth as needed. Do not use abrasive cleaners.

## **LIMITED 1-YEAR WARRANTY**

---

The manufacturer warrants this product to be free from defects in workmanship and material present at time of shipment from the factory for a limited lifetime from the date of purchase. This warranty applies only to the original purchaser. To obtain warranty service, call our customer service department at 1-877-319-3757 for return authorization and shipping instructions. Any damage to the product by accident, misuse or improper installation, or by affixing accessories not produced by the manufacturer are the purchaser's responsibility. The manufacturer assumes no responsibility whatsoever for product installation during the warranty period. There is no future expressed warranty. The manufacturer disclaims any and all implied warranties. The manufacturer shall not be liable for incidental, consequential or special damages arising at or in connection with product use or performance except as may otherwise be accorded by law. This warranty supersedes all prior warranties.

Inquiries regarding warranty claims can be directed to 1-877-319-3757, 8 a.m. - 5 p.m., CST, Monday - Friday.