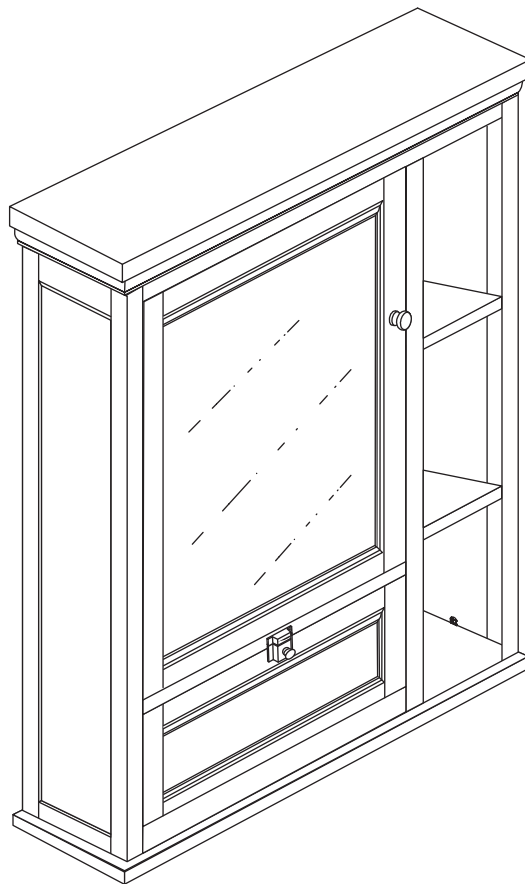




MODEL #HF01-MAT-WH  
#HF01-MAT-ES

## BATHROOM MEDICINE CABINET



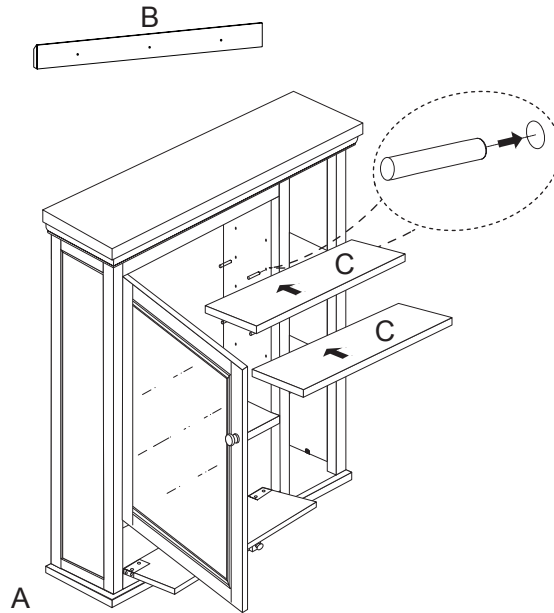
**Questions, problems, missing parts?** Before returning to your retailer, call our customer service department at 1-877-319-3757, 8 a.m. - 5 p.m., CST, Monday - Friday.

**READ AND SAVE THESE INSTRUCTIONS**

## TABLE OF CONTENTS

Package and Hardware Contents.....	2
Safety Information.....	3
Preparation.....	3
Assembly Instructions.....	3
Warranty.....	6

## PACKAGE AND HARDWARE CONTENTS



PART	DESCRIPTION	QUANTITY
A	Cabinet	1
B	French cleat	1

PART	DESCRIPTION	QUANTITY
C	Movable shelf	2

## HARDWARE

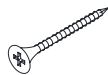
AA



Shelf support

Qty. 8

BB



Screw

Qty. 3

CC



Anchor

Qty. 3



## SAFETY INFORMATION

Please read and understand this entire manual before attempting to assemble, operate or install the product.



## WARNING

- Safely discard all packing material.
- Keep small parts away from children.
- The assistance of another person may be required to help install this unit.

## PREPARATION

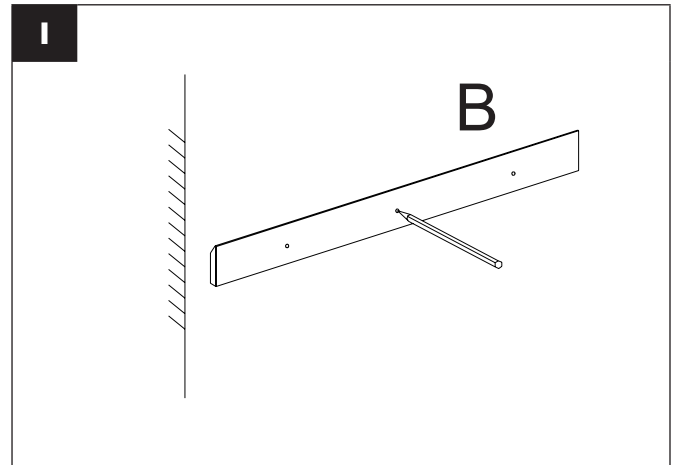
Before beginning assembly of product, make sure all parts are present. Compare parts with package contents list and hardware contents list. If any part is missing or damaged, do not attempt to assemble the product.

**Estimated Assembly Time: 30 minutes**

**Tools Required for Installation To Wall (not included):** Screwdriver, Hammer, Electric Drill, 3/16 in. Drill Bit, Level and Pencil.

## ASSEMBLY INSTRUCTIONS

1. Place French cleat (B) on the wall in the desired location to hang the unit. Ensure that the French cleat is level and mark the three drill hole locations on the wall through the holes on the French cleat (B).



2. Slide the cleat aside. Using a 3/16 in. drill bit (not included), drill holes in the drywall at the three locations marked in step 1. Using a Phillips head screwdriver (not included), drive the included anchors (CC) into the holes in the wall.

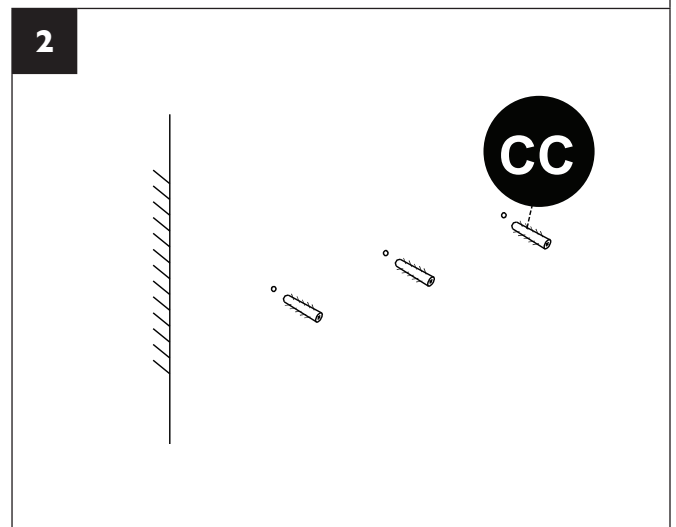
### Hardware Used



Anchor



x 3



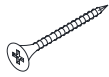
## ASSEMBLY INSTRUCTIONS

3. Reposition the French cleat (B) on the wall, lining up the holes with the installed wall anchors (CC). Secure the French cleat (B) to the wall with the included screws (BB).

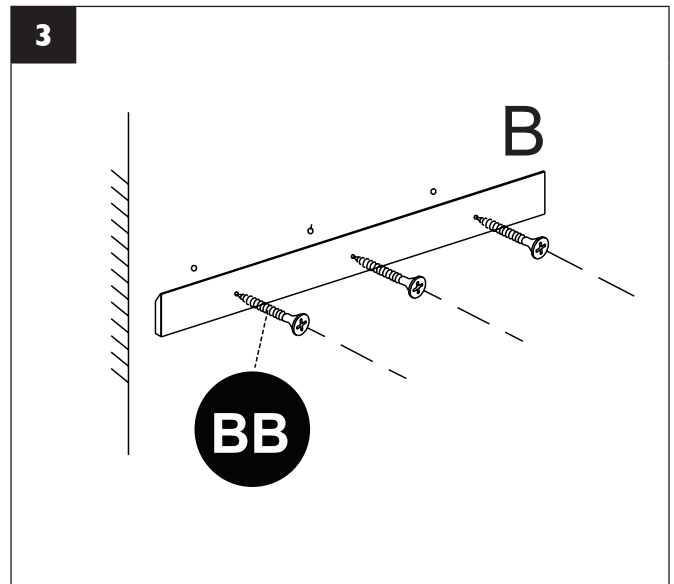
### Hardware Used

BB

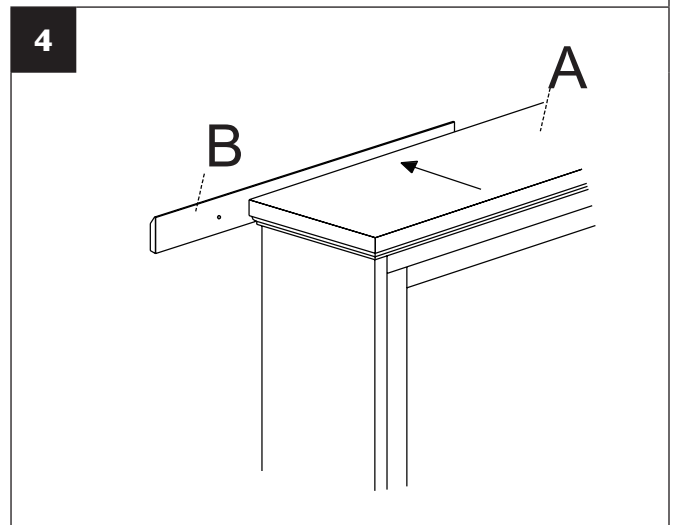
Screw



x 3



4. With help from another person, lift the cabinet to the wall and align with the French cleat (B). Slide the cabinet (A) down onto the French cleat (B) so that it aligns with the slot on the back of the cabinet (A). Rest the cabinet (A) onto the French cleat (B) so that it is hanging securely.



5. Insert the shelf support (AA) into coordinating left and right holes a the desired height. Use 4 shelf supports (AA) for each shelf (2 supports (AA) on each side). Place each shelf (C) onto the shelf supports (AA) and ensure they are secure.

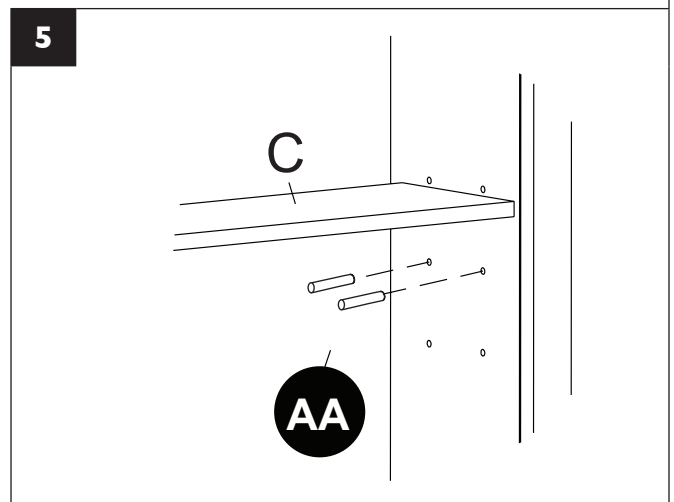
### Hardware Used

AA

Shelf support



x 8



## **CARE AND MAINTENANCE**

---

Wipe with a soft, dry cloth as needed. Do not use abrasive cleaners.

## **LIMITED 1-YEAR WARRANTY**

---

The manufacturer warrants this product to be free from defects in workmanship and material present at time of shipment from the factory for a limited lifetime from the date of purchase. This warranty applies only to the original purchaser. To obtain warranty service, call our customer service department at 1-877-319-3757 for return authorization and shipping instructions. Any damage to the product by accident, misuse or improper installation, or by affixing accessories not produced by the manufacturer are the purchaser's responsibility. The manufacturer assumes no responsibility whatsoever for product installation during the warranty period. There is no future expressed warranty. The manufacturer disclaims any and all implied warranties. The manufacturer shall not be liable for incidental, consequential or special damages arising at or in connection with product use or performance except as may otherwise be accorded by law. This warranty supersedes all prior warranties.

Inquiries regarding warranty claims can be directed to 1-877-319-3757, 8 a.m. - 5 p.m., CST, Monday - Friday.