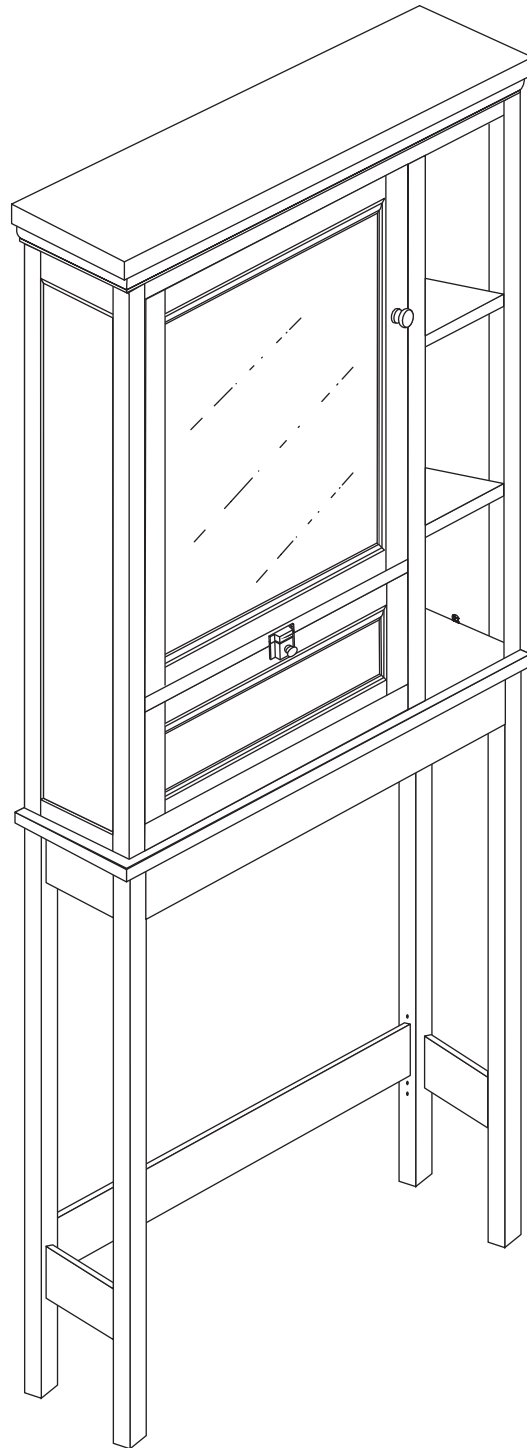




MODEL #HF01-SKQ-WH
#HF01-SKQ-ES

BATHROOM SPACE SAVER



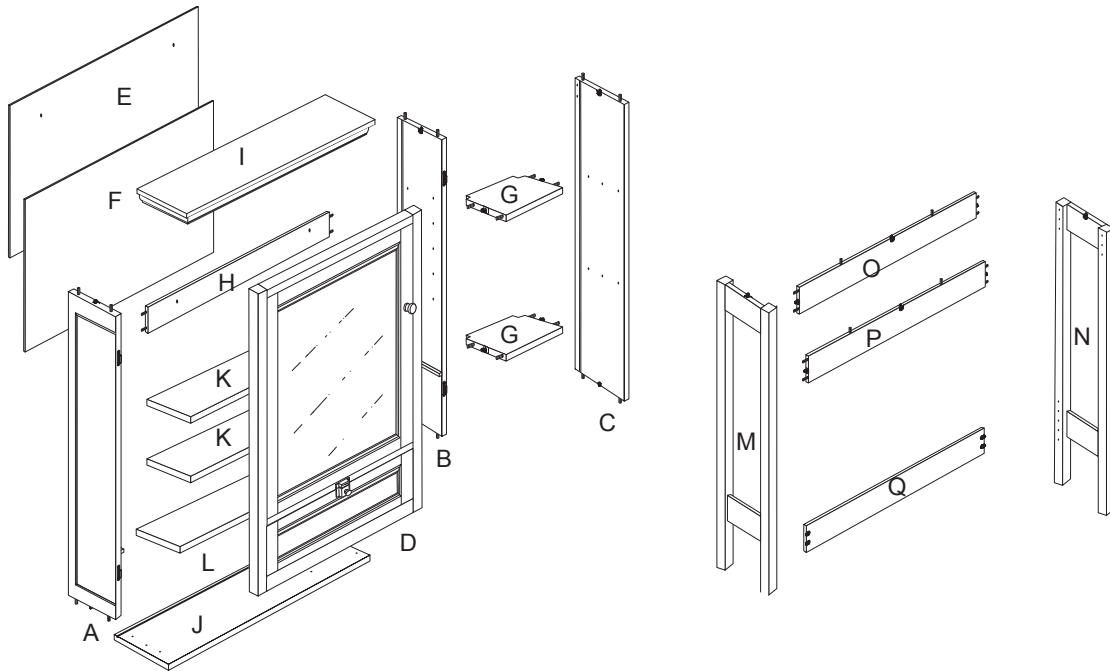
Questions, problems, missing parts? Before returning to your retailer, call our customer service department at 1-877-319-3757, 8 a.m. - 5 p.m., CST, Monday - Friday.

READ AND SAVE THESE INSTRUCTIONS

TABLE OF CONTENTS

Package and Hardware Contents.....	2
Safety Information.....	3
Preparation.....	3
Assembly Instructions.....	3
Warranty.....	6

PACKAGE AND HARDWARE CONTENTS



PART	DESCRIPTION	QUANTITY
A	Left upper side	1
B	Middle upper panel	1
C	Right upper panel	1
D	Upper front panel	1
E	Upper back panel	1
F	Lower back panel	1
G	Divide panel	2
H	Upper back bar	1
I	Top panel	1

PART	DESCRIPTION	QUANTITY
J	Bottom panel	1
K	Movable shelf	2
L	Shelf	1
M	Lower left side	1
N	Lower right side	1
O	Lower back bar	1
P	Front bar	1
Q	Bottom back bar	1

HARDWARE

AA



Shelf support
Qty. 8

BB



Screw
Qty. 2

CC



Anchor
Qty. 2

SAFETY INFORMATION

Please read and understand this entire manual before attempting to assemble, operate or install the product.

WARNING

- Do not load this unit with more than 30 lbs.
- Safely discard all packing material.
- Keep small parts away from children.
- The assistance of another person may be required to help install this unit.

FOR SAFE AND PROPER USE TO AVOID TIPPING HAZARD: Use provided hardware to secure furniture to the wall.

CAUTION

Take care when moving the product and never drag the pieces across the floor as this will cause damage to the joints.

PREPARATION

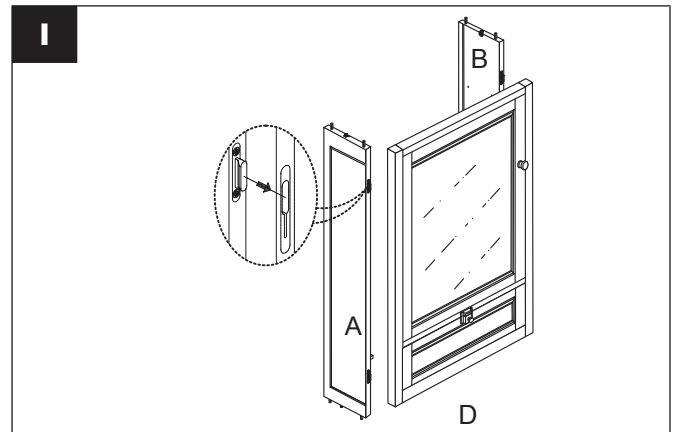
Before beginning assembly of product, make sure all parts are present. Compare parts with package contents list and hardware contents list. If any part is missing or damaged, do not attempt to assemble the product.

Estimated Assembly Time: 30 minutes

Tools Required for Installation To Wall (not included): Screwdriver, Hammer, Electric Drill, 3/16 in. Drill Bit, Level and Pencil.

ASSEMBLY INSTRUCTIONS

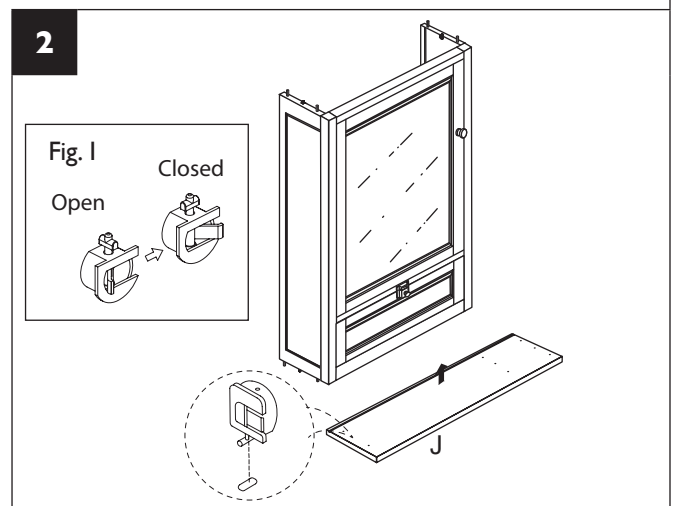
1. Attach left upper side (A) to upper front panel (D) by inserting the tabs on the left upper side (A) into the slots on the upper front panel (D) and push in and down until the left upper side (A) slides into place. Repeat this step for the upper middle panel (B).



2. Attach bottom panel (J) to the assembled unit and twist the locking nut clockwise to secure in place.

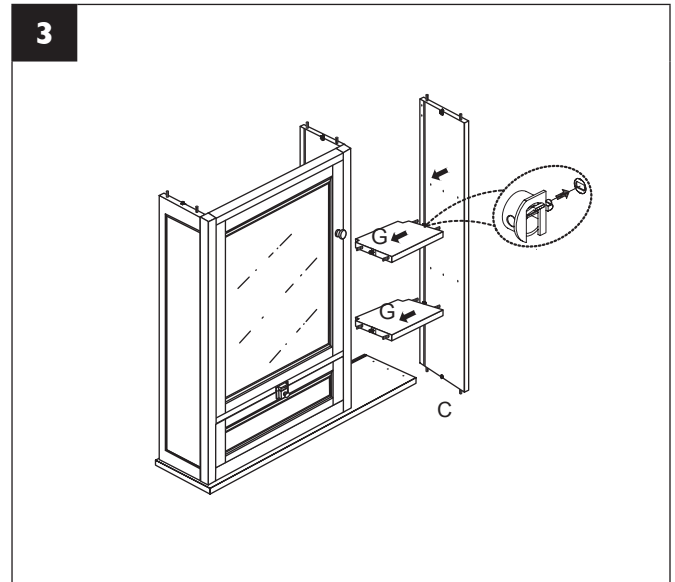
Note: For all applicable steps, ensure the direction of locking bolt is parallel when inserted into the nut on the panel.

Lock Nut Operation: To attach a panel with the built-in locking nut, start by ensuring that the tab on the locking nut is in the open position (Fig. 1). By opening the tab on the locking nut, the knob on top of the nut will be aligned with the direction of the slot on the panel you are attaching. Slide the locking nut into the slot on the second panel. Then close the tab on the locking nut to rotate the knob, securing the two panels together.

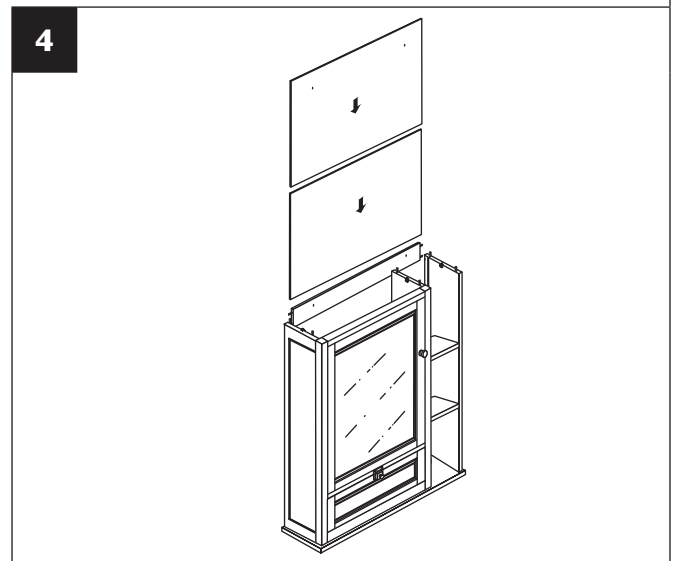


ASSEMBLY INSTRUCTIONS

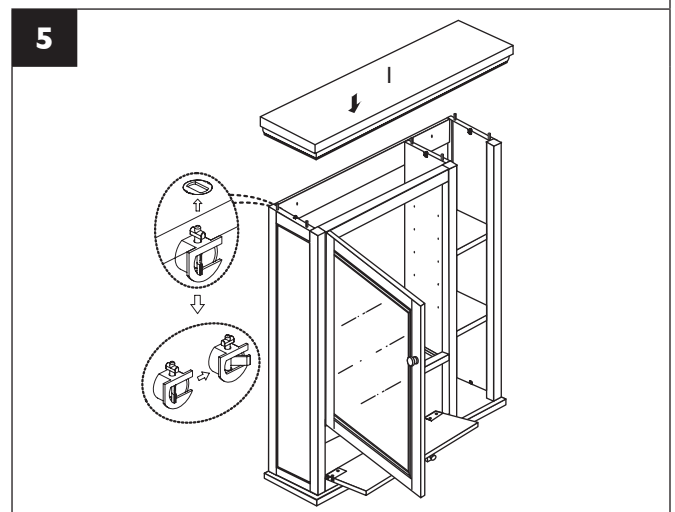
3. Attach divide panel (G) to the assembled upper middle panel (B) unit and twist the locking nut clockwise to secure in place. Attach right upper side (C) to the assembled unit and twist the locking nut clockwise to secure in place.



4. Attach upper back bar (H) to the assembled unit, insert lower back panel (F) and upper back panel (E) into the groove of both upper side panel (A & B).

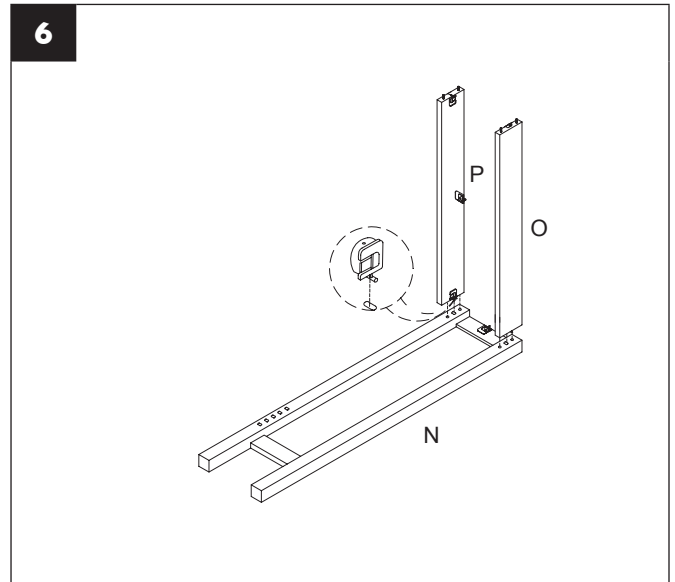


5. Attach top panel (I) to the assembled unit and twist the locking nut clockwise to secure in place.



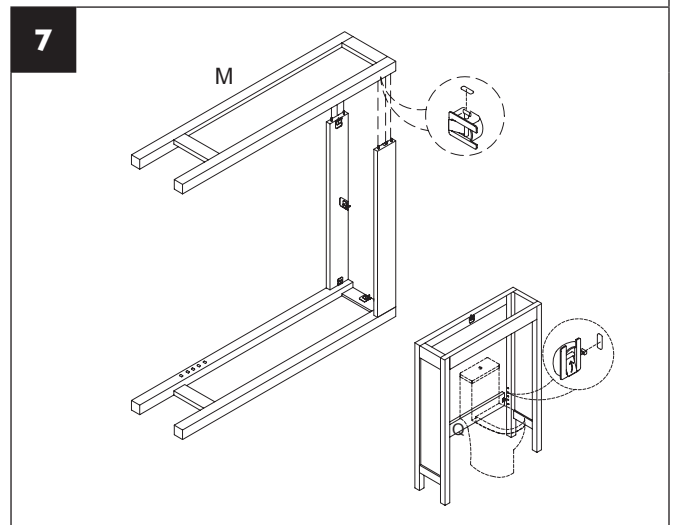
ASSEMBLY INSTRUCTIONS

6. Attach front bar (P) to lower right side (N) and twist the locking nut clockwise to secure in place. Repeat this step for lower back bar (O).

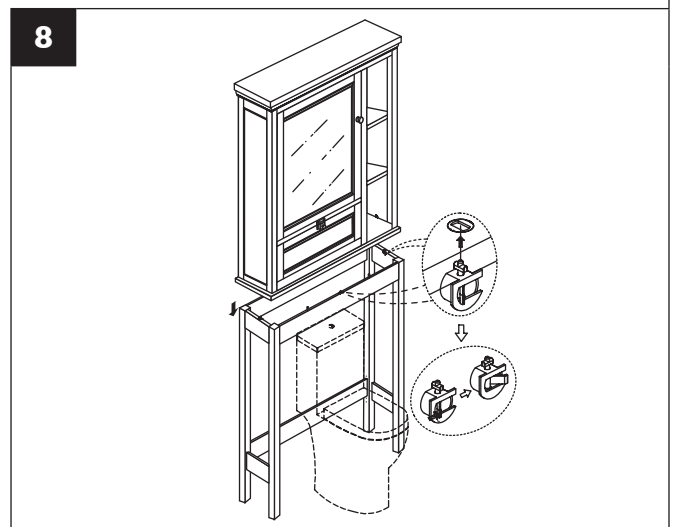


7. Attach front bar (P) to lower left side (M) and twist the locking nut clockwise to secure in place. Repeat this step for lower back bar (O). Then move the base to desired location, attach back bottom bar (Q) to the assembled unit and twist the locking nut clockwise to secure in place.

Note: the back bottom bar (Q) is reversible. The hardware holes are work both of facing to wall or front.



8. Attach upper assembled unit to the base assembled unit and twist the locking nut clockwise to secure in place.

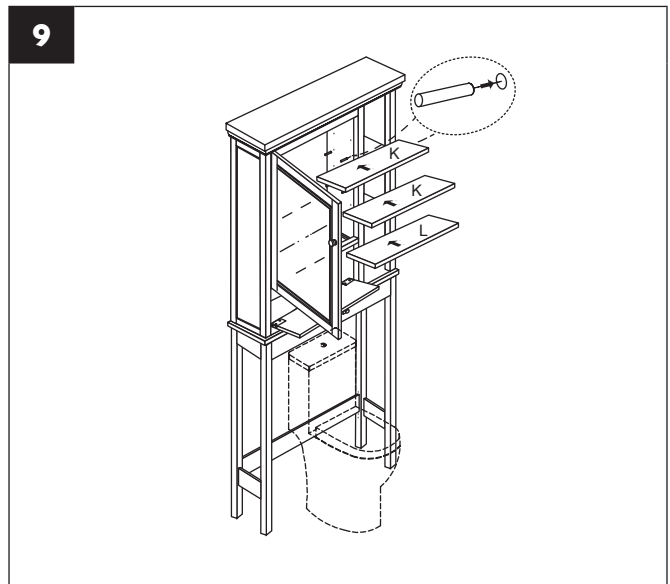


ASSEMBLY INSTRUCTIONS

9. Put shelf (L) into unit. Insert shelf support (AA) into unit. Put movable shelf (K) into unit.

Hardware Used

AA Shelf support  x 8



10. INSTALLATION TO WALL

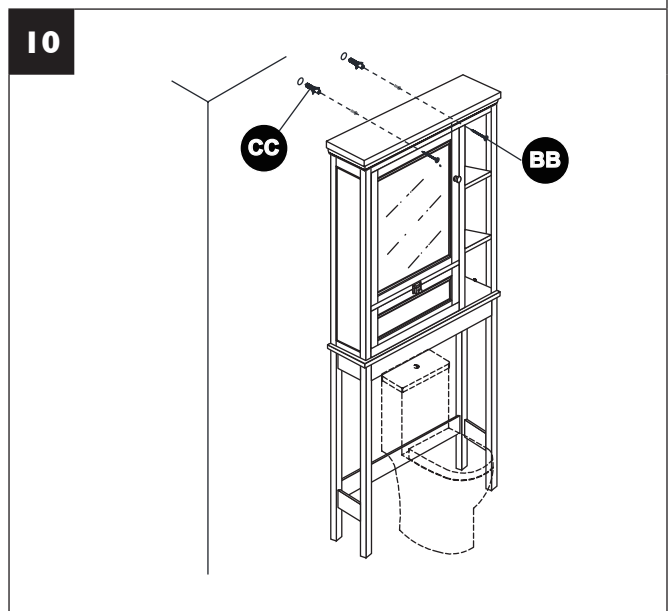
With the help of another person, move the assembly unit to desired location. Use a pencil (not included) to mark the pre-drilled holes on upper back bar (H) onto the wall. Set assembled unit aside.

Use a 3/16 in. drill bit (not included) to drill 1/4 in. pilot holes at the marked locations. Insert anchors (CC) into holes until they are flush with the wall, then move assembly back into position. Secure item to the wall by inserting the screws (BB) through upper back bar (H) and into the anchors (CC).

Hardware Used

BB Screw  x 2

CC Anchor  x 2



CARE AND MAINTENANCE

Wipe with a soft, dry cloth as needed. Do not use abrasive cleaners.

LIMITED 1-YEAR WARRANTY

The manufacturer warrants this product to be free from defects in workmanship and material present at time of shipment from the factory for a limited lifetime from the date of purchase. This warranty applies only to the original purchaser. To obtain warranty service, call our customer service department at 1-877-319-3757 for return authorization and shipping instructions. Any damage to the product by accident, misuse or improper installation, or by affixing accessories not produced by the manufacturer are the purchaser's responsibility. The manufacturer assumes no responsibility whatsoever for product installation during the warranty period. There is no future expressed warranty. The manufacturer disclaims any and all implied warranties. The manufacturer shall not be liable for incidental, consequential or special damages arising at or in connection with product use or performance except as may otherwise be accorded by law. This warranty supersedes all prior warranties.

Inquiries regarding warranty claims can be directed to 1-877-319-3757, 8 a.m. - 5 p.m., CST, Monday - Friday.